

12V or 24Vdc Hot Shot Solenoid Protection Controller

P/N: AX021000, AX021010

Features:

- Accepts 12Vdc or 24Vdc power input
- Drives 1 hydraulic valve (hot shot profile 1A for 24V model and 2A for 12V model)
- Enable Input
- Rugged IP67 packaging
- Integrated connector to minimize wiring and reduce installation time
- Compact, plug-in style for valve coil with a molded Deutsch IPD DT04-2P connector

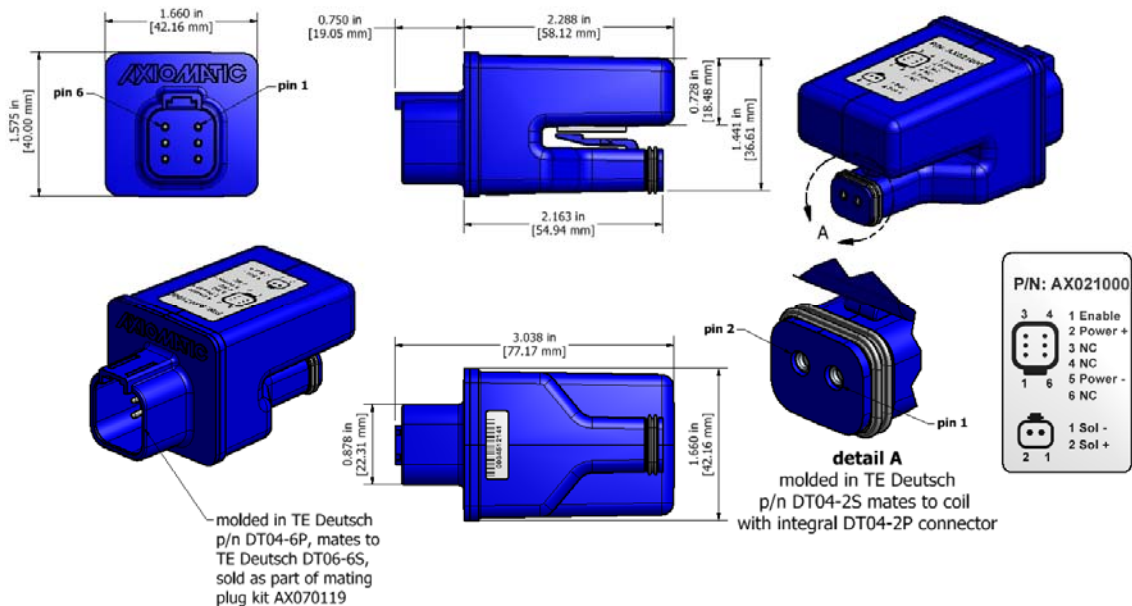


Ordering Part Number:

24Vdc Valve Controller, Plug-In:
AX021000

12Vdc Valve Controller, Plug-In:
AX021010

Mating Connector Kits: **AX070138**



Technical Specifications:

Power Supply Input

Power Supply Input - Nominal	Model AX021000: 24Vdc nominal (10...36Vdc power supply range) Model AX021010: 12Vdc nominal (8...24Vdc power supply range)
Protection	Reverse polarity protection is provided. Input Transient 250V for 70uS, 100V for 50mS

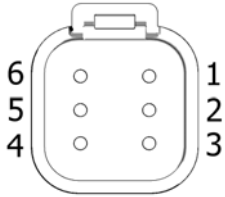
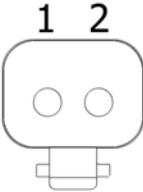
Input

Enable Input	Enable Input is provided. Model AX021000: High (1.5 – 36V or OPEN) if ON (Pin 1 is connected). Low (0 – 0.7V or SHORTED) if OFF (Pin 1 is not connected). Model AX021010: High (1.5 – 24V or OPEN) if ON (Pin 1 is connected). Low (0 – 0.7V or SHORTED) if OFF (Pin 1 is not connected).
--------------	---

Outputs

Output	Model AX021000: Output current 1A for 2 Second (if $V_{in} - 0.3V > R_{coil} * 1A$), then 0.40A continuous. Model AX021010: Output current 2A for 2 Second (if $V_{in} - 0.3V > R_{coil} * 1A$), then 0.80A continuous. Maximum $V_{out} = V_{in} - 0.3V$ if $R_{coil} * I_{coil} > V_{in}$, otherwise, $V_{out} = R_{coil} * I_{coil}$
--------	--

General Specifications

Enclosure	Molded Enclosure, integral connectors Polyester, 30% glass Silicone seal 3.04 x 1.44 x 1.526 inches 77.1 x 36.6 x 38.8 mm L x W x H including integral connectors																								
Protection	IP67 rating for the product assembly																								
Weight	0.15 lbs. (0.068 kg)																								
Temperature Rating	Operating: -40 to 85°C (-40 to 185°F) Storage: -50 to 105°C (-58 to 221°F)																								
Electrical Connections	<div style="display: flex; justify-content: space-between;"> <div style="text-align: center;">  </div> <div> <p>6-pin Integral Connector, Deutsch IPD p/n DT04-6P</p> <p>Mating plug kit AX070138 is available (includes TE Deutsch p/n DT06-6S).</p> <p>Wires should be of the appropriate gauge to meet requirements of applicable electrical codes and suit the specifications of the connector(s).</p> <table border="1" style="margin-left: auto; margin-right: auto;"> <thead> <tr> <th colspan="2">6-pin Connector</th> </tr> <tr> <th>Pin #</th> <th>Description</th> </tr> </thead> <tbody> <tr> <td>1</td> <td>Enable</td> </tr> <tr> <td>2</td> <td>Power +</td> </tr> <tr> <td>3</td> <td>Not Used</td> </tr> <tr> <td>4</td> <td>Not Used</td> </tr> <tr> <td>5</td> <td>Power -</td> </tr> <tr> <td>6</td> <td>Not Used</td> </tr> </tbody> </table> </div> </div> <div style="margin-top: 20px;"> <div style="display: flex; justify-content: space-between;"> <div style="text-align: center;">  </div> <div> <p>2-pin Integral Connector, Deutsch IPD p/n DT06-2S mates to valve coil with integral connector P/N DT04-2P (not supplied)</p> <table border="1" style="margin-left: auto; margin-right: auto;"> <thead> <tr> <th colspan="2">2-pin Connector</th> </tr> <tr> <th>Pin #</th> <th>Description</th> </tr> </thead> <tbody> <tr> <td>1</td> <td>Solenoid -</td> </tr> <tr> <td>2</td> <td>Solenoid +</td> </tr> </tbody> </table> </div> </div> </div>	6-pin Connector		Pin #	Description	1	Enable	2	Power +	3	Not Used	4	Not Used	5	Power -	6	Not Used	2-pin Connector		Pin #	Description	1	Solenoid -	2	Solenoid +
6-pin Connector																									
Pin #	Description																								
1	Enable																								
2	Power +																								
3	Not Used																								
4	Not Used																								
5	Power -																								
6	Not Used																								
2-pin Connector																									
Pin #	Description																								
1	Solenoid -																								
2	Solenoid +																								

Specifications are indicative and subject to change. Actual performance will vary depending on the application and operating conditions. Users should satisfy themselves that the product is suitable for use in the intended application. All our products carry a limited warranty against defects in material and workmanship. Please refer to our Warranty, Application Approvals/Limitations and Return Materials Process as described on www.axiomatic.com/service.html.

Form: TDAX021000-03/22/18