

**Features:**

- 1 Voltage, Current or PWM Signal input  
(user selectable input range from: 0-5V; 0-10V; 0-20mA; 4-20mA; 0.5Hz – 50 Hz; 10Hz – 1 kHz; or 100Hz – 10 kHz)
- 1 CAN port (CANopen®)
- Operational 9...36 Vdc (12 Vdc or 24 Vdc)
- Integrated Deutsch IPD 6-pin connector
- Compact, fully sealed enclosure, IP67
- CE marking
- EDS File



**Applications:**

- Machine Control Systems

**Ordering Part Numbers:**

1 Signal Input, CAN Converter, 1 CANopen® P/N: **AX031701**

**Accessories:** Mating Plugs Kit P/N: **AX070119**

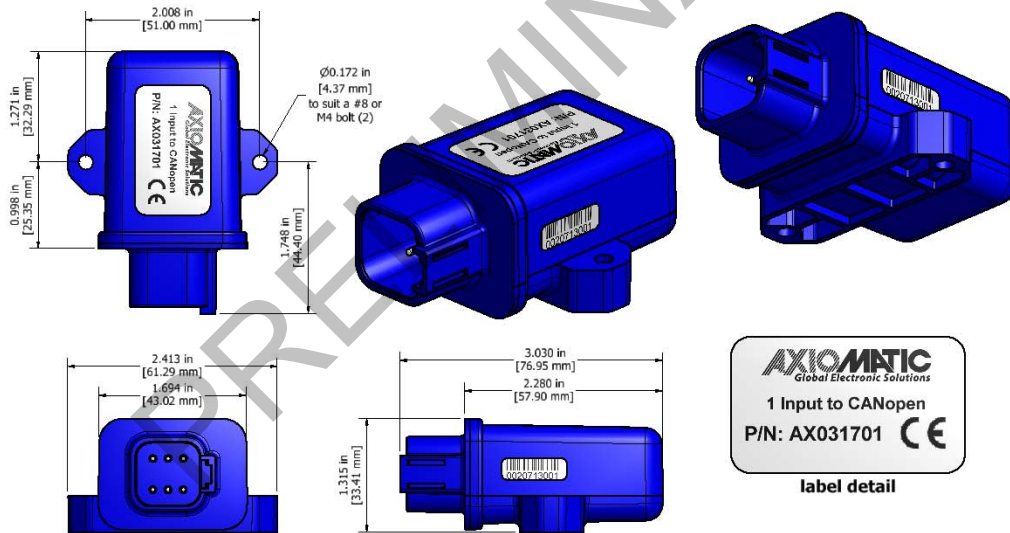


Figure 1.0 – Dimensional Drawing

**Technical Specifications:** Typical at nominal input voltage and 25 degrees C unless otherwise specified.

**Power**

Power Supply Input - Nominal	12 V or 24 Vdc nominal; 9...36 Vdc The minimum allowable supply voltage for the power pin is 7 Vdc.
Surge Protection and Load Dump	Meets the requirements of SAE J1113-11 for 24Vdc nominal input
Reverse Polarity Protection	Provided

**Input**

Input Signal	One Voltage, Current or PWM Signal Input Refer to Table 1.0.
<b>Table 1.0 – Input – User Selectable Options</b>	
Analog Input Functions	Voltage Input
Voltage Input	0-5V (Impedance 204 KOhm); 0-10V (Impedance 136 KOhm)
Current Input	0-20 mA; 4-20 mA
Digital Input Functions	PWM Input
Digital Input Level	+Vps
PWM Input	0 to 100% 0.5 Hz – 50 Hz 10 Hz to 1kHz 100 Hz to 10 kHz
Input Impedance	1 MOhm high impedance, 10KOhm pull down, 10KOhm pull up to +5V
Input Accuracy	≤ 1%
Input Resolution	12-bit
Analog Ground	One provided

**Control Logic**

Software Platform	User programmable functionality using SDO object access, per CiA DS-301
User Interface	EDS provided to interface to standard CANopen® tools

**General Specifications**

Memory	STM32F103CBT7, 32-bit, 128 Kbytes Flash Program Memory
CAN Port	1 CAN (CANopen®)
Quiescent Current Draw	14 mA @ 24Vdc Typical; 30 mA @ 12Vdc Typical
Response Time	10 mSec. Typical
Operating Conditions	-40 to 85°C (-40 to 185°F)
Weight	0.15 lbs. (0.068 kg)
Protection Rating	IP67
EMC Compliance	CE marking
Vibration	MIL-STD-202G, Test 204D and 214A (Sine and Random) 10 g peak (Sine); 7.86 Grms peak (Random)
Shock	MIL-STD-202G, Test 213B, 50 g
Packaging and Dimensions	Plastic Enclosure, Nylon 6-6 with 30% glass fill Integral Deutsch IPD connector, Refer to Figure 1.0 dimensional drawing.
Electrical Connections	6 pin Deutsch IPD connector P/N: DT04-6P A mating plug kit is available as Axiomatic P/N: <b>AX070119</b> .

Pin #	Description
1	BATT+
2	Input +
3	CAN_H
4	CAN_L
5	Input -
6	BATT-

Notes: Notes: CANopen® is a registered community trade mark of CAN in Automation e.V.

*Specifications are indicative and subject to change. Actual performance will vary depending on the application and operating conditions. Users should satisfy themselves that the product is suitable for use in the intended application. All our products carry a limited warranty against defects in material and workmanship. Please refer to our Warranty, Application Approvals/Limitations and Return Materials Process as described on [www.axiomatic.com/service.html](http://www.axiomatic.com/service.html).*

Form: TDAX031701-06/18/17