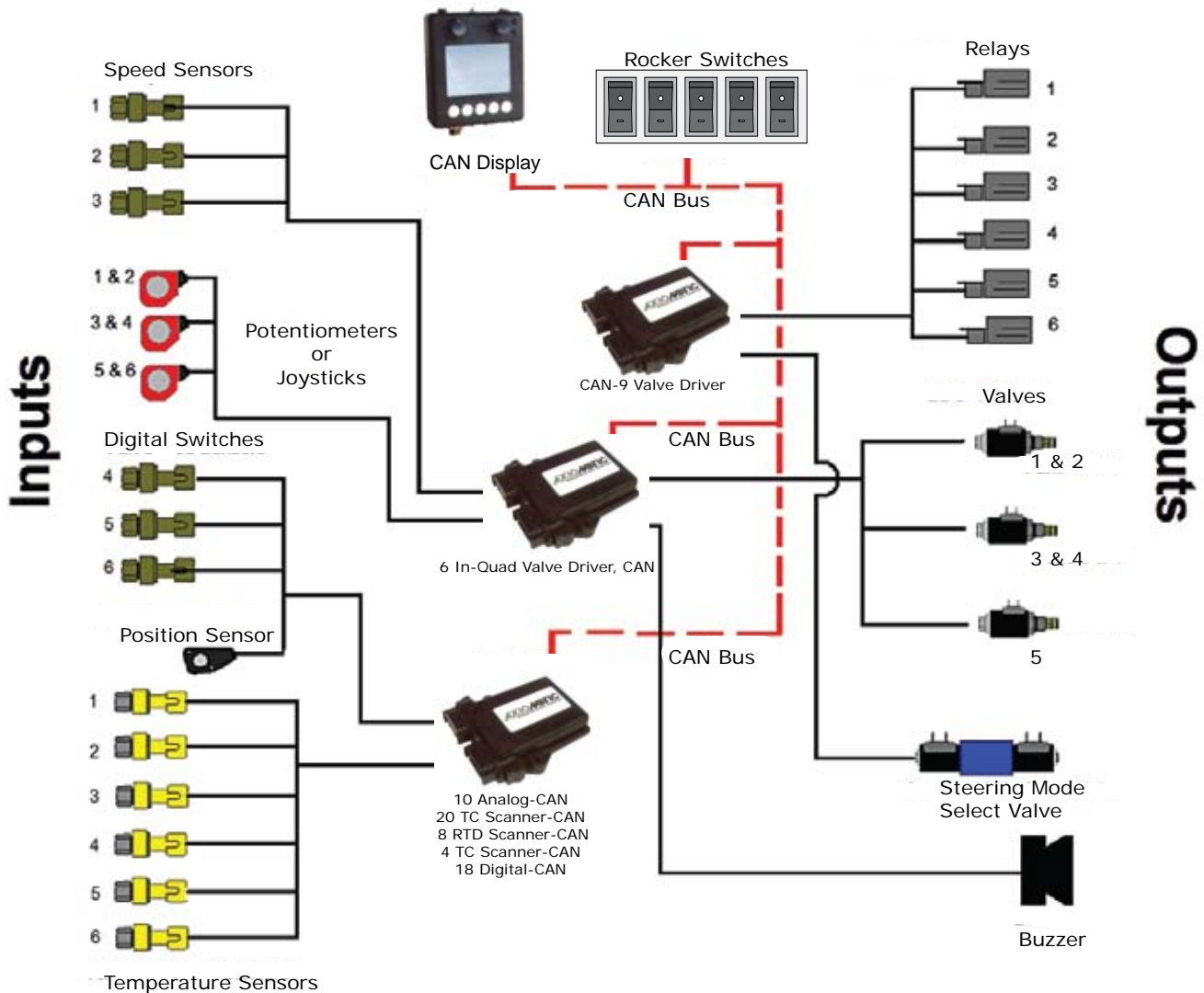


MACHINE CONTROLS



CAN Display Application Platform:

Human Machine Interface (HMI) Display for reliable data collection and remote monitoring with fast response time

- Total machine or vehicle control (master CAN module)
- Integral I/O for connection to joystick, switches, etc. extends the capability of the machine control application (24 PNP + 16 NPN digital inputs, 8 analog inputs, encoder input, 16 digital + 4 signal outputs)
- Flexible communications (3 RS-232 ports, 2 CANopen ports, Ethernet, 2 USB)
- Flexible PCB for custom-applications or ruggedly packaged for mobile, military and mining applications
- Easy to use selectable screen displays, a mode selector knob, function buttons and variable adjustment knob
- Electroluminescent display, VGA/XGA compatible, 320x240 or 160x120 pixel resolution, 4-bit digital
- -40...+85°C (-40...+185°F), RAM mount, 200 x 160 x 35 mm or 7.87 x 6.30 x 0.14 inches (excluding connectors), 9...35VDC Voltage Range

