

SERVICE TOOLS

(Configuration, Monitoring, Diagnostics)

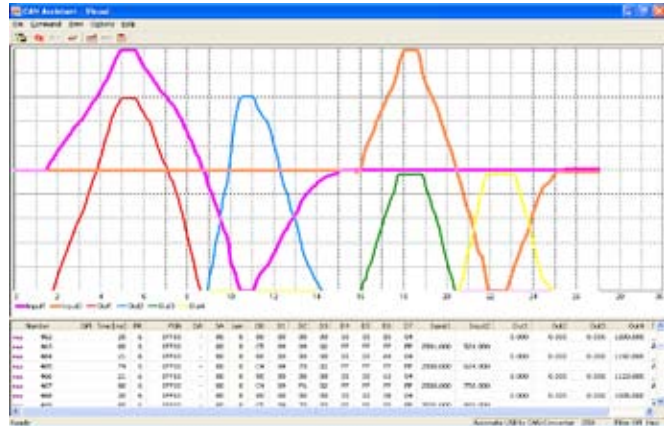
Electronic Assistant® 

Flexible Device Configuration with Electronic Assistant® :

- Recognize all networked SAE J1939-based devices
- Edit and view individual parameters or setpoints for Axiomatic devices
- Configure existing control logic to suit application

Monitor CAN data with the EA Scope:

- Display and transmit all messages on the bus, or filter for specific messages
- Suitable for higher CAN protocols (CANopen)
- Receive time-stamped CAN messages

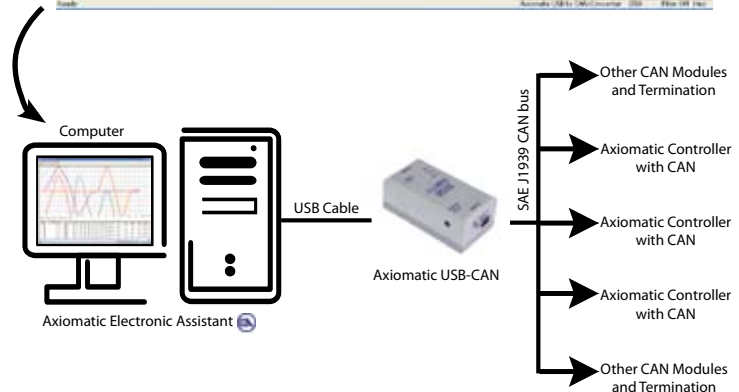


Diagnose with EA Visual:

- Real-time monitoring
- Convert raw J1939 data into real units (i.e. temperature in °C)
- Performance graphs

USB - CAN Converter:

- Connect a PC running EA software with a CAN 2.0B network
- The Software Development Kit (SDK) allows system integrators to use the Axiomatic USB-CAN converter in their own applications.



Configuration KIT includes the following:

- USB-CAN Converter
- 1 ft. (0.3 m) USB Cable
- 12 in. (30 cm) CAN Cable with female DB-9
- CD, includes:

- Electronic Assistant® software;
- EA & USB-CAN User Manual UMAX07050X;
- USB-CAN drivers & documentation;
- CAN Assistant (Scope and Visual) software & documentation;
- and the Software Development Kit (SDK).

Specifications subject to change without notice.



For more details visit www.axiomatic.com and www.axiomatic.fi or e-mail sales@axiomatic.com.

Axiomatic Technologies Corporation

5915 Wallace Street
Mississauga, ON
CANADA L4Z 1Z8

TEL: +1 905 602 9270
FAX: +1 905 602 9279

Mendelssohn Strasse 12
D-82049 Pullach
GERMANY

TEL: +49 (0) 174 207 5131
FAX: +49 (0) 897 935 5290

Axiomatic Technologies Oy

Höytämöntie 6
FIN-33880 LEMPÄÄLÄ
FINLAND

TEL: +358 3 3595 600
FAX: +358 3 3595 660