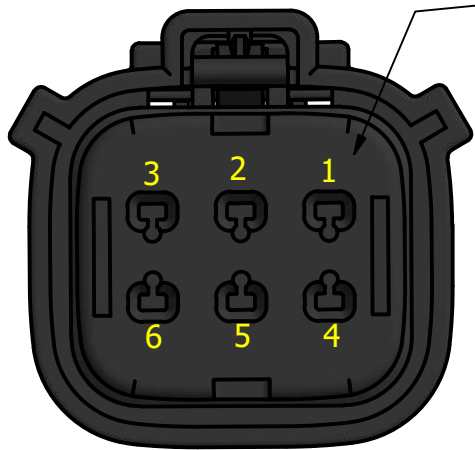
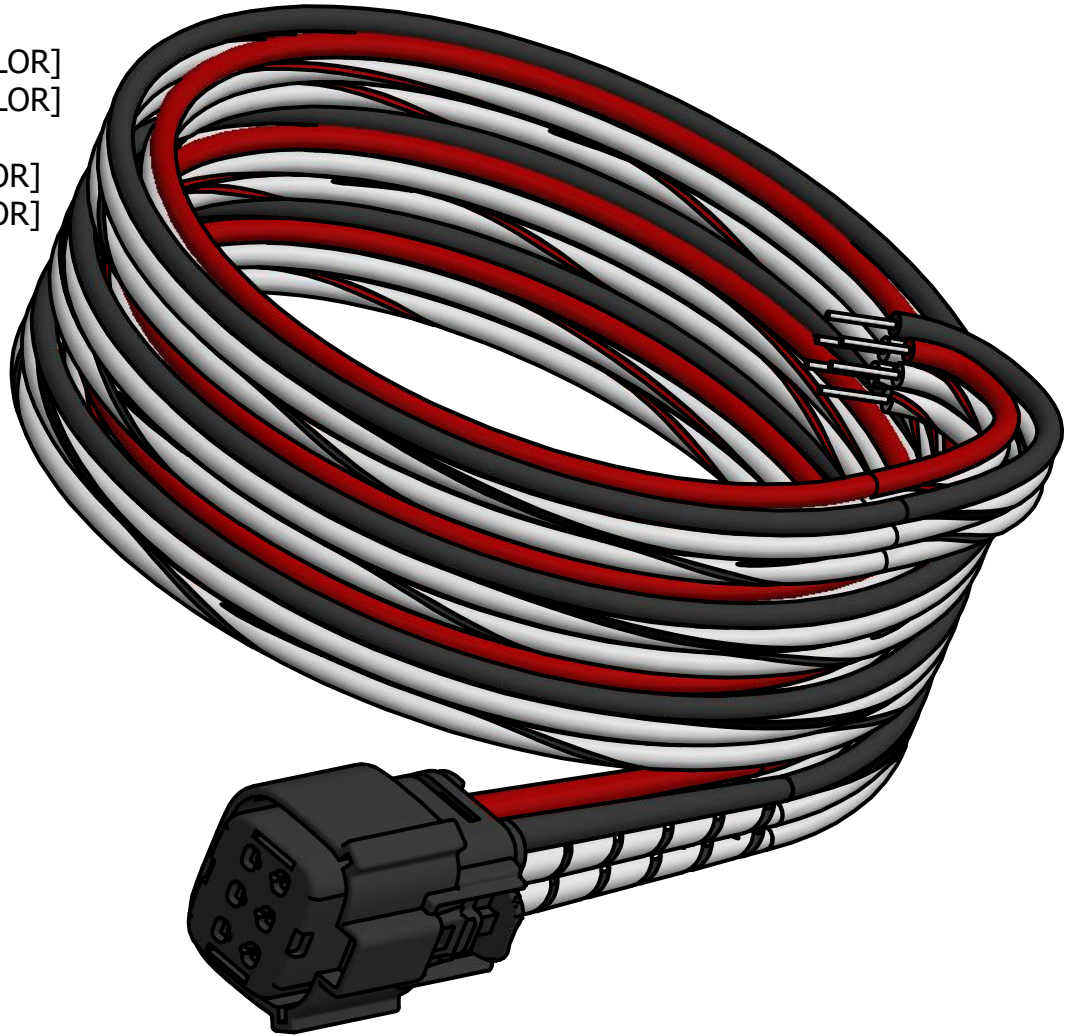


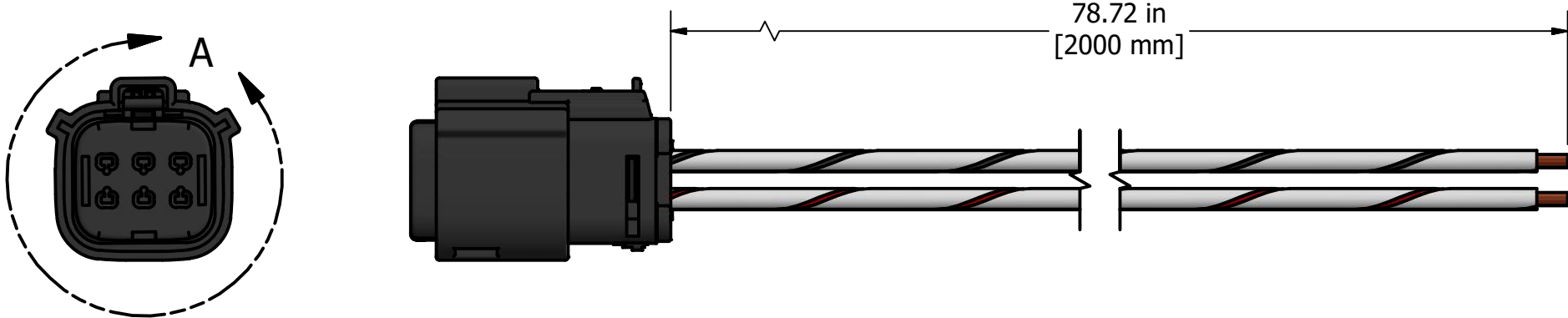
REVISION HISTORY			
REV	DESCRIPTION	DATE	APPROVED
P1-D1	INITIAL RELEASE	2022-06-22	GDV



- PIN 1: OUTPUT - [2M[6.5ft] 14AWG UNTERMINATED LEAD WIRE, WHITE-BLACK COLOR]
- PIN 2: OUTPUT - [2M[6.5ft] 14AWG UNTERMINATED LEAD WIRE, WHITE-BLACK COLOR]
- PIN 3: BATT - [2M[6.5ft] 14AWG UNTERMINATED LEAD WIRE, BLACK COLOR]
- PIN 4: OUTPUT + [2M[6.5ft] 14AWG UNTERMINATED LEAD WIRE, WHITE-RED COLOR]
- PIN 5: OUTPUT + [2M[6.5ft] 14AWG UNTERMINATED LEAD WIRE, WHITE-RED COLOR]
- PIN 6: BATT+ [2M[6.5ft] 14AWG UNTERMINATED LEAD WIRE, RED COLOR]



DETAIL A  
SCALE 2 : 1  
MOLEX 19418-0010 RECEPTACLE  
MATES WITH  
MOLEX 19435-0611 CONNECTOR



<small>PROPRIETARY</small> <small>THE INFORMATION CONTAINED IN THIS DRAWING IS CONFIDENTIAL AND PROPRIETARY AND REMAINS THE EXCLUSIVE PROPERTY OF AXIOMATIC TECHNOLOGIES CORPORATION. THIS DRAWING MAY NOT BE USED, REPRODUCED IN WHOLE OR IN PART, NOR REVEALED TO OTHERS WITHOUT THE PRIOR WRITTEN CONSENT OF AXIOMATIC TECHNOLOGIES CORPORATION. BY ACCEPTANCE OF THIS DRAWING, THE BEARER AGREES TO THESE CONDITIONS.</small>						<small>AXIOMATIC TECHNOLOGIES CORPORATION</small> <small>5915 WALLACE ST.</small> <small>MISSISSAUGA, ON</small> <small>CANADA L4Z 1Z8</small> <small>905-602-9270</small>	
MATERIAL NA	DRAWN hshah	DATE 2022-06-22	TITLE WIRE HARNESS, 2M, 14AWG, UNTERMINATED CABLE				
FINISH NA	CHECKED	DATE	DWG REV D1	DWG NO AX070132-MD	PART REV P1		
THIRD ANGLE PROJECTION	TOOL	INVENTOR	APPROVED	DATE	SCALE 1 : 1	PART NO AX070132	SHEET 1 of 1
		SIZE B					