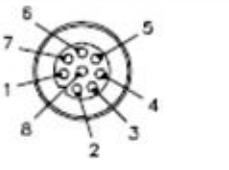
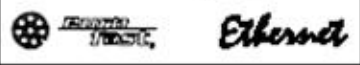
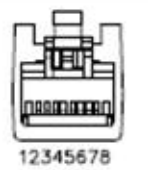

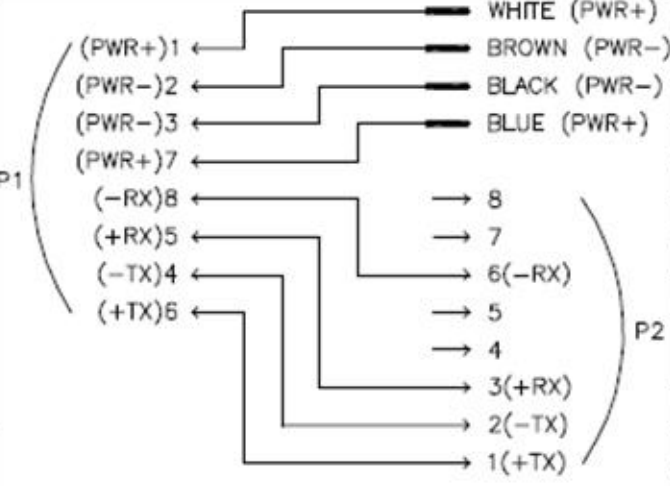


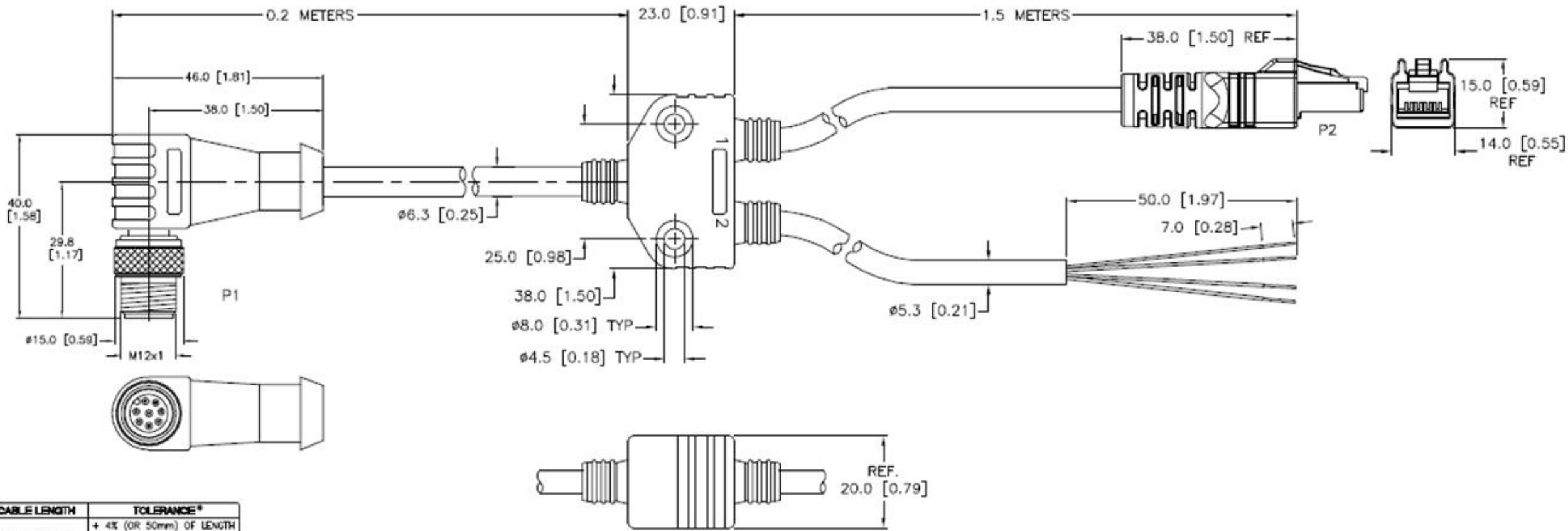
4

3

2

1

MALE END VIEW	RJ45 END VIEW	WIRING DIAGRAM	SPECIFICATIONS	
 <p>1 - WHITE/BLUE 2 - WHITE/BROWN 3 - BROWN 4 - ORANGE (-TX) 5 - WHITE/GREEN (+RX) 6 - WHITE/ORANGE (+TX) 7 - BLUE 8 - GREEN (-RX)</p> 	 <p>12345678</p> <p>1 - WHITE/ORANGE (+TX) 2 - ORANGE (-TX) 3 - WHITE/GREEN (+RX) 4 - N/C 5 - N/C 6 - GREEN (-RX) 7 - N/C 8 - N/C</p> 		CONTACT CARRIER MATERIAL	NYLON OR TPU (J1)
			MOLDED HEAD MATERIAL/COLOR	TPU/BLACK (J1,P2)
			CONTACT MATERIAL/PLATING	BRASS/GOLD (J1)
			COUPLING NUT MATERIAL/PLATING	BRASS/NICKEL (J1)
			RATED CURRENT [A]	1.0 A
			RATED VOLTAGE [V]	32 V
			OUTER CABLE JACKET MATERIAL/COLOR	TPE/TEAL (P1,P2), PVC/YELLOW (FLYING LEADS)
			CONDUCTOR INSULATION MATERIAL	HDPE (P1, P2), PVC (FLYING LEADS)
			NUMBER OF CONDUCTORS [AWG]	4UTPx24 AWG (P1), 2UTPx24 AWG (P2), 4x22 AWG (FLYING LEADS)
			SHIELDING	TINNED-COPPER BRAIDED (P1)
			TEMPERATURE RANGE	-40°C to +75°C (-40°F to +167°F)
			PROTECTION CLASS	MEETS NEMA 1,3,4,6P AND IEC IP67



CABLE LENGTH	TOLERANCE*
ALL LENGTHS	+ 4% (OR 50mm) OF LENGTH - 0% (OR 0mm) OF LENGTH WHICHEVER IS GREATER
STIP* LENGTH	TOLERANCE*
0-7mm	±0.2mm
8-29mm	±1.0mm
30-49mm	±2.0mm
50-69mm	±3.0mm
70-100mm	±4.0mm
OVER 100mm	±5.0mm

* UNLESS OTHERWISE SPECIFIED

TOLERANCES			
fabrication	machining		
X.XXX +/- 0.015	X.XXX +/- 0.005		
X.XX +/- 0.031	X.XX +/- 0.010		
X.X +/- 0.031	X.X +/- 0.015		
fractional +/- 0.031	fractional +/- 0.031		

<small>PROPRIETARY</small> THE INFORMATION CONTAINED IN THIS DRAWING IS CONFIDENTIAL AND PROPRIETARY AND REMAINS THE EXCLUSIVE PROPERTY OF AXIOMATIC TECHNOLOGIES CORPORATION. THIS DRAWING MAY NOT BE USED, REPRODUCED IN WHOLE OR IN PART, NOR REVEALED TO OTHERS WITHOUT THE PRIOR WRITTEN CONSENT OF AXIOMATIC TECHNOLOGIES CORPORATION. BY ACCEPTANCE OF THIS DRAWING, THE BEARER AGREES TO THESE CONDITIONS.		AXIOMATIC Global Electronic Solutions <small>AXIOMATIC TECHNOLOGIES CORPORATION 5915 WALLACE ST. MISSISSAUGA, ON CANADA L4Z1Z8 905-602-9270</small>	
MATERIAL	DRAWN	DATE	TITLE
	TF	7/31/2017	Ethernet and Power Cable 1.7 m (5.5 ft.), 8-pin M12 A-coded, Untermated Leads, Ethernet Jack
FINISH	CHECKED	DATE	DWG REV
			D1
	APPROVED	DATE	DWG NO
			AX070531-MD
			PART NO
			AX070531
			SHEET
			1 of 1

4

3

2

1