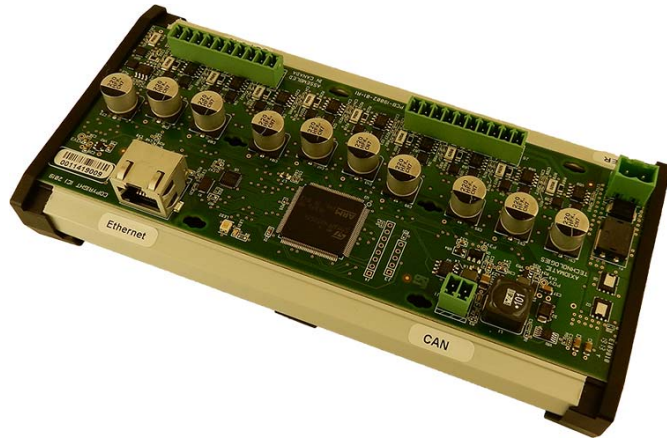


TECHNICAL DATASHEET #TDAX029000
10 Outputs Valve Controller
SAE J1939, Ethernet (Modbus)
DIN Rail Mount

P/N: AX029000

Features:

- Ten (10) independent outputs to drive valves (0-2.5A) are user configurable as:
 - Proportional Current;
 - Proportional Voltage;
 - Hotshot Digital;
 - PWM Duty Cycle;
 - or On/Off Digital.
- Output type is high side sourcing or low side sinking.
- SAE J1939 CAN port
- Modbus (Ethernet 10/100 Mbit/s port) on request
- 12Vdc or 24Vdc nominal
- Twelve (12) output voltages are available to power LEDs.
- Operates from -40 to 85°C (-40 to 185°F).
- IP20
- DIN rail mount
- Configurable via Electronic Assistant



Applications:

The controller is designed to be applied in industrial process equipment.

Ordering Part Numbers:

KIT (AX029000 SAE J1939 Controller and Mating Screw Terminal Plugs): **AX029000K**

KIT (AX029001 CANopen Controller and Mating Screw Terminal Plugs): **AX029001K**

To order items separately:

Controller, SAE J1939: **AX029000**

Controller, CANopen: **AX029001**

Mating Screw Terminal Plug KIT: **AX070151**

Accessories: Electronic Assistant: **AX070502**

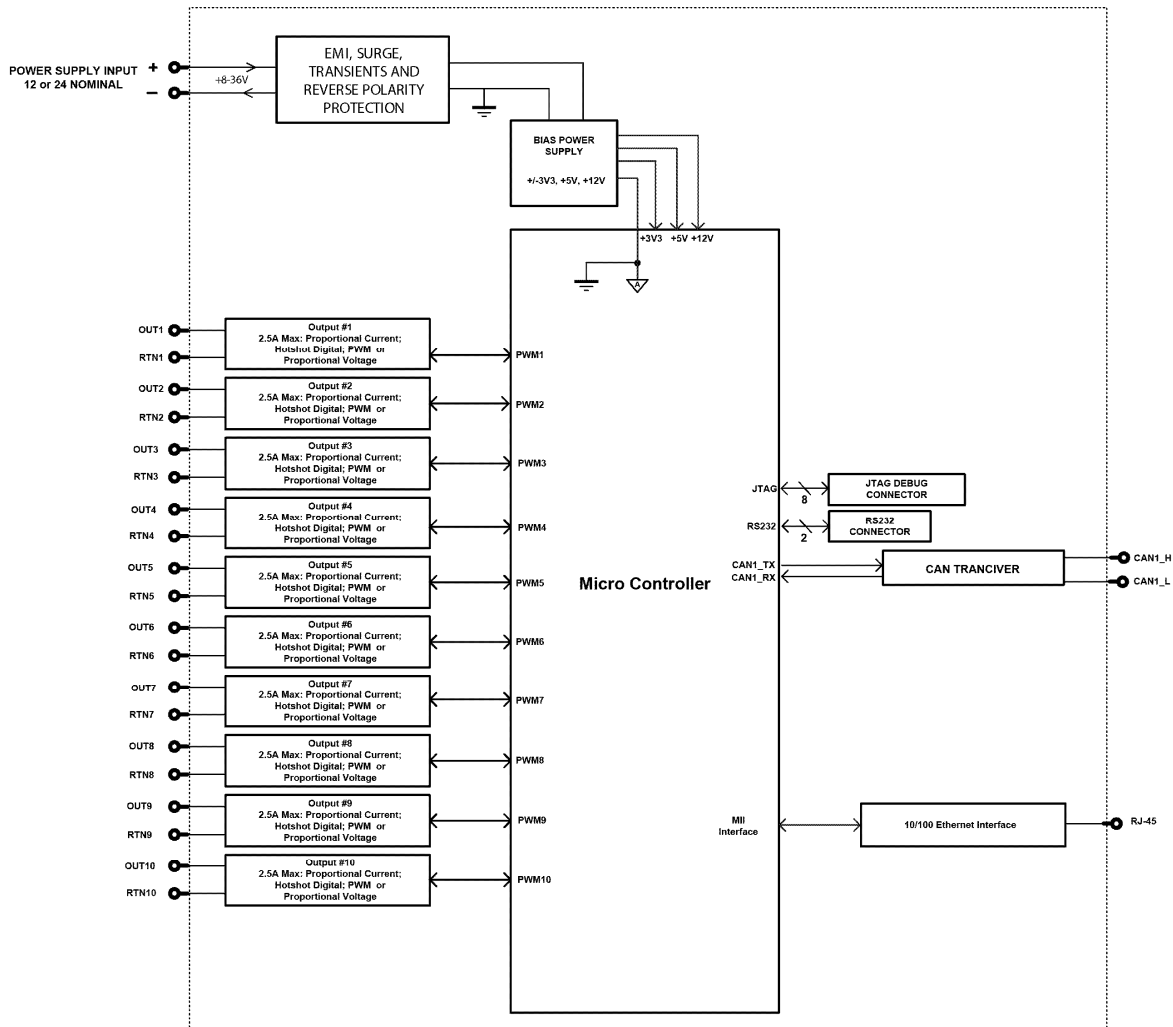


Figure 1 –Logical Functional Block Diagram

Technical Specifications:

Specifications are indicative and subject to change. Actual performance will vary depending on the application and operating conditions. Users should satisfy themselves that the product is suitable for use in the intended application. All our products carry a limited warranty against defects in material and workmanship. Please refer to our Warranty, Application Approvals/Limitations and Return Materials Process as described on www.axiomatic.com/service.html.

Power Supply

Power Supply Input	12 Vdc or 24 Vdc nominal 8...36 Vdc power supply range Maximum supply current is 15A @ 24Vdc at any time.
Protection	Reverse polarity protection is provided up to -80Vdc. Surge and transient protection are provided. Overvoltage shutdown of the output load is provided. Undervoltage protection (hardware and software shutdown) is provided.

Outputs

Outputs	<p>10 independent universal outputs selectable as: proportional current, proportional voltage, hotshot or ON/OFF digital or PWM type.</p> <p>High side sourcing or low side sinking Half-bridge output, current sensing</p> <p>Up to 2.5A each Overcurrent protection Short circuit protection</p> <p>All output types have configurable minimum and maximum output levels within the range for the type selected.</p> <p>Current Outputs: 1mA resolution, accuracy +/- 1% error</p> <p>Voltage Outputs: 0.1V resolution, accuracy +/- 5% error High frequency drive</p> <p>PWM Outputs: 0.1% resolution, accuracy +/- 0.1% error</p> <p>Digital On/Off: Sourcing from power supply, sinking from output to ground or off. Load at supply voltage must not draw more than 2.5A.</p>
LED Voltage Supply	Twelve +5Vdc LED voltage outputs via 332Ω resistor

General Specifications

Microprocessor	STM32F407ZG, 32-bit, 1MByte flash memory
Quiescent Current	80.7mA @ 24Vdc; 122.3mA @ 12Vdc Typical
CAN Communications	Model: AX029000 250 kbps SAE J1939 Model: AX029001 CANopen®
Control Logic	User programmable functionality using Electronic Assistant service tool
CAN Communications	Compliant to SAE CAN J1939 Standard 1 CAN port (SAE J1939)
Ethernet Communications	One 10/100 Mbit Ethernet compliant port Modbus is available on request.
User Interface	Electronic Assistant P/N: AX070502
Protection	IP20
Weight	0.45 lb. (0.204 kg)
Temperature Rating	Operating: -40 to 85°C (-40 to 185°F)
Enclosure, Dimensions	<p>PHOENIX</p> <p>2 MCV1.5/10-G-3.81 HEADER VERTICAL 10 PIN 3.81mm 8A 160V T/H 1 MCV1.5/2-G-3.81HEADER VERTICAL 2 PIN 3.81mm 8A 160V T/H 1 MSTBVA2.5HC/2-G-5.08 - HEADER VERTICAL 2 PIN 5.08 16A 250V T/H 1 UM-PRO_72X168.5 UM-PRO PROFILE 72 X 168.5mm -40-100C 1 UM-PRO72_COVER-L - END CAP LEFT 72mm BLK 1 UM-PRO72_COVER-R - END CAP RIGHT 72mm BLK 4 UM-PRO_PCB_S-LOCK - S-LOCK CLIP BLK FOR TOP RAIL 2 UM-PRO_PCB_C-LOCK_L1- C-LOCK CLIP BLK FOR TOP RAIL 1 UM-PRO72_FOOT FOOT DIN RAIL (OPTIONAL)</p> <p>Polyamide, UL94V0, cULus recognized, China RoHS DIN rail TH 35-7.5 <i>Refer to Figure 2.0.</i></p>
Electrical Connections	<p>Screw terminals are included in part number AX070151.</p> <p>PHOENIX</p> <p>2 MC1,5/10-ST-3,81 – ten position screw terminal plug 1 MC1,5/ 2-ST-3,81 - two position PCB screw terminal plug 1 MVSTBR2,5HC/2-ST-5,08 screw terminal plug <i>Refer to Figure 3.0.</i></p>
Installation	DIN rail mount, TH 35-7.5
Network Termination	It is necessary to terminate the network with external termination resistors. The resistors are 120 Ohm, 0.25W minimum, metal film or similar type. They should be placed between CAN_H and CAN_L terminals at both ends of the network.

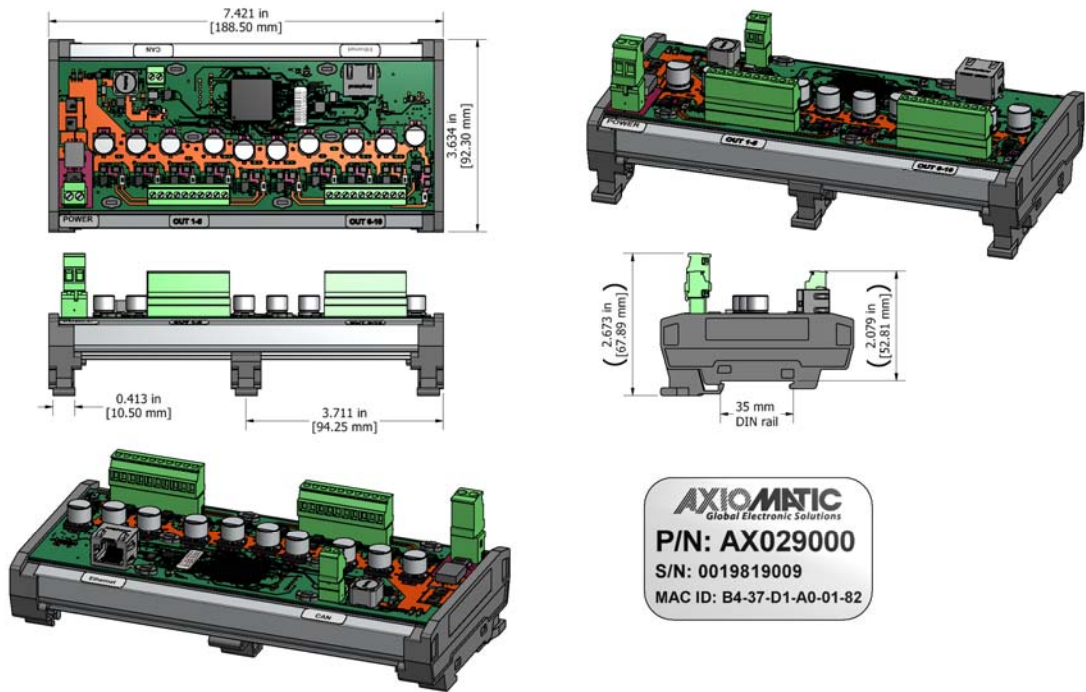


Figure 2 – AX029000K Dimensional Drawing (mating screw terminal plugs shown)

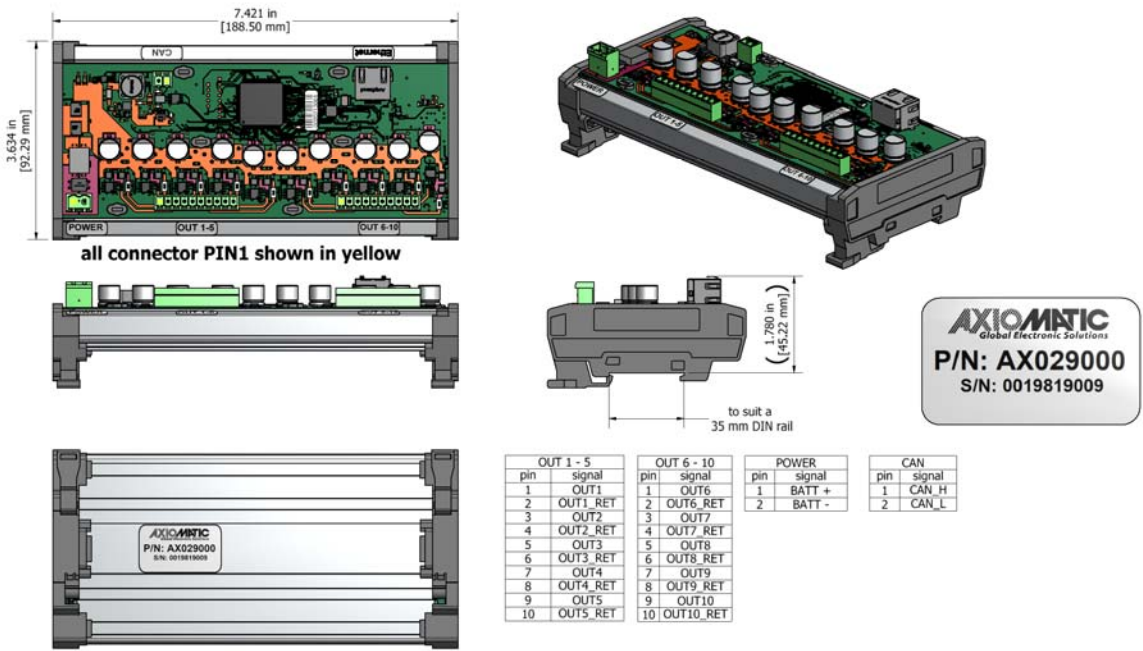


Figure 3 – AX029000 Dimensional Drawing with pinout

Notes:

CANopen® is a registered community trademark of CAN in Automation e.V.

Form: TDAX029000-04/21/20