

10 Universal Signal Inputs CAN Controller

*V, mA, Digital, PWM, Hz/RPM, Counter Inputs
1 Voltage Reference, CANopen®*

P/N: AX030131

Features:

- 10 user selectable signal inputs:
 - 0-5 V
 - 0-10 V
 - 0-20 mA
 - 4-20 mA
 - PWM (low or high frequency)
 - Frequency/RPM
 - Counter
 - Digital
- +5V Reference, 100 mA
- 12V, 24Vdc (nominal) power input
- 1 CANopen® port (SAE J1939 model is AX030130)
- Rugged packaging and connectors (TE Deutsch)
- Standard control logic
- CE mark (EMC Directive)
- EDS File

Description: The 10 Universal Signal Input Module accepts up to 10 analog or digital type inputs (0-5V, 0-10V, 0-20 mA or 4-20 mA, Digital, PWM, Frequency/RPM or Counter). The modules can be connected to a variety of analog machine sensors or levers, PLC's, switches, PWM signals, etc. It interfaces with the machine's CANopen network. Standard embedded software is provided. Rugged IP67 rated packaging in addition to a wide-ranging power supply input section for 12V or 24Vdc power suits applications in the harsh environment of mobile equipment with on-board battery power. All setpoints are user configurable.

Applications: The controller is designed to meet the rugged demands of construction equipment, power generator sets and heavy duty industrial machine control applications.

Ordering Part Numbers:

10 Universal Signal Input Controller, SAE J1939, 250 kbps baud rate: **AX030130**

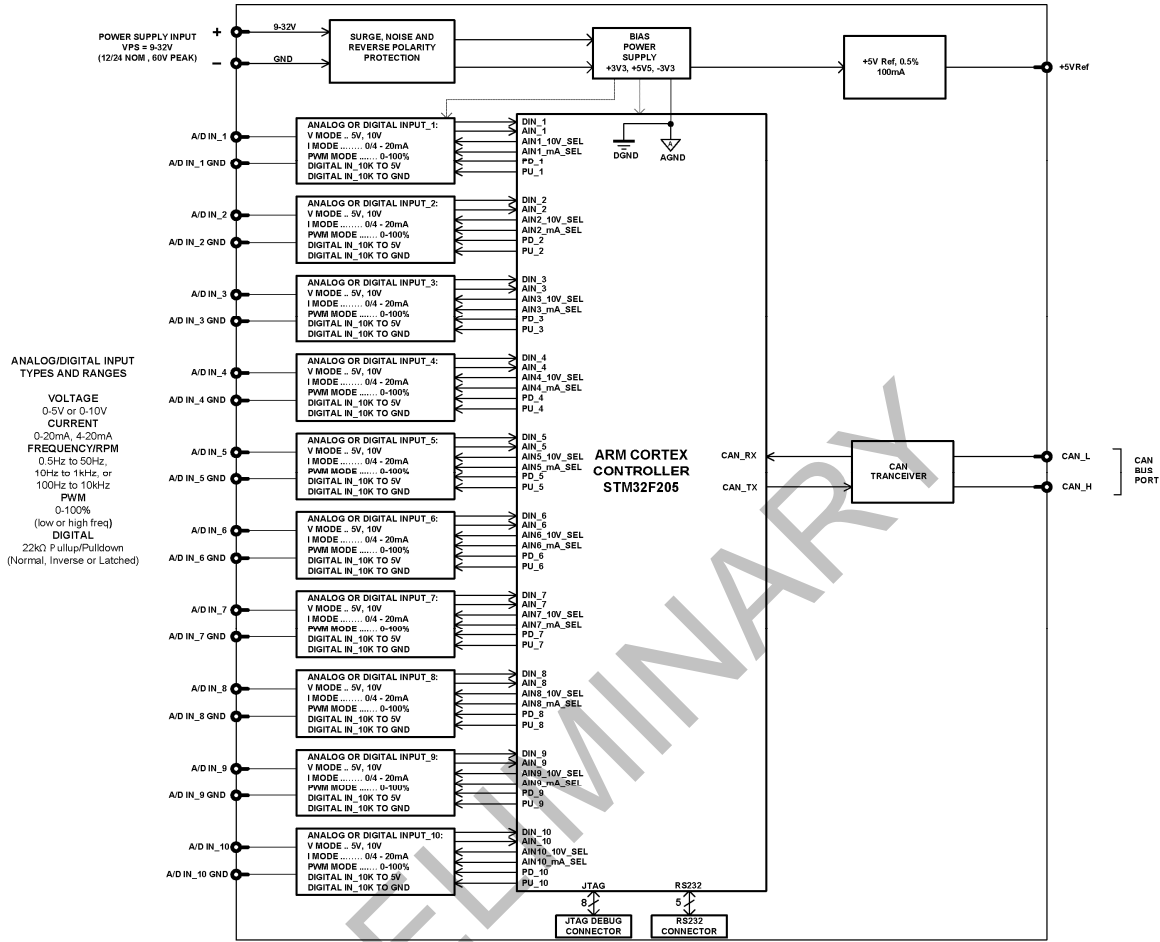
10 Universal Signal Input Controller, CANopen®: **AX030131**

Accessories:

PL-DTM06-12SA-12SB Mating Plug Kit (1 DTM06-12S, DTM06-12SB, 2 WM12S, 24 contacts)

EDS File

BLOCK DIAGRAM



Technical Specifications:

Specifications are indicative and subject to change. Actual performance will vary depending on the application and operating conditions. Users should satisfy themselves that the product is suitable for use in the intended application. All our products carry a limited warranty against defects in material and workmanship. Please refer to our Warranty, Application Approvals/Limitations and Return Materials Process as described on www.axiomatic.com/service.html.

Power Input Specifications

Power Supply Input - Nominal	12 or 24Vdc nominal operating voltage 8...60 Vdc power supply range for voltage transients
Surge Protection	Provided
Reverse Polarity Protection	Provided
Quiescent Current	< 25mA @ Vin = 24V
Voltage Reference	+5V, 100 mA

Signal Input Specifications

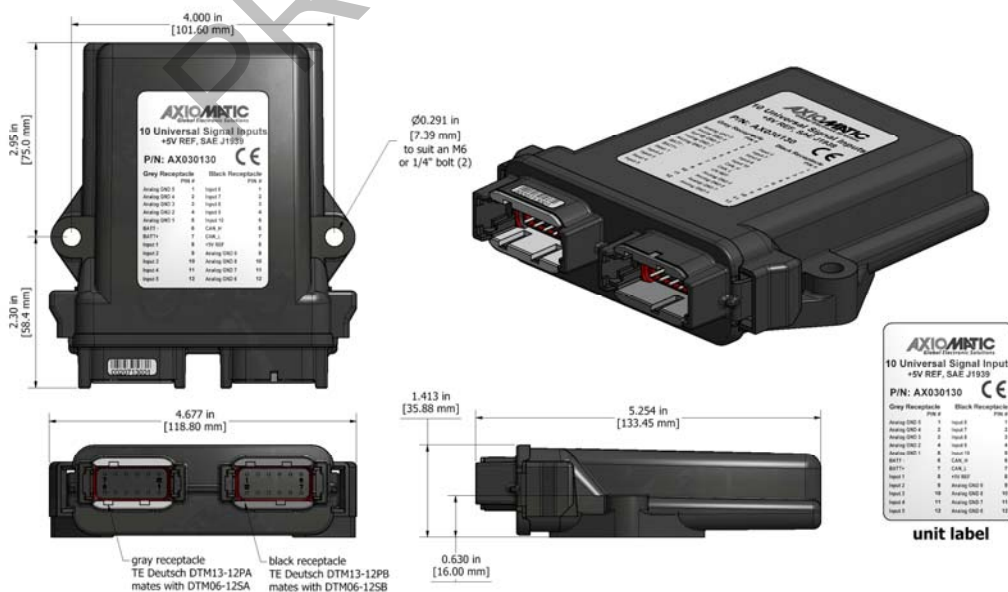
Inputs	<p>10 user selectable inputs (See Table 1.0.)</p> <ul style="list-style-type: none"> Analog 12-bit (0-5V, 0-10V, 0-20 mA, 4-20 mA) PWM 12-bit (low or high frequency) Frequency/RPM Counter input 16-bit Digital (active high/active low) [ON when input $\geq 1.5V$] <p>The "Input Sensor Type" setpoint is used to configure input type.</p> <table border="1" data-bbox="602 443 1101 852"> <caption>Table 1.0. Inputs – Sensor Type Selections</caption> <thead> <tr> <th>Setpoint</th> <th>Input Type</th> </tr> </thead> <tbody> <tr><td>0</td><td>Disabled</td></tr> <tr><td>1</td><td>Voltage (0-5 V)</td></tr> <tr><td>13</td><td>Voltage (0-10 V)</td></tr> <tr><td>2</td><td>Current (0-20 mA)</td></tr> <tr><td>21</td><td>Current (4-20 mA)</td></tr> <tr><td>40</td><td>Frequency (0.5 to 50 Hz)</td></tr> <tr><td>41</td><td>Frequency (10 Hz to 1 kHz)</td></tr> <tr><td>4</td><td>Frequency (100 Hz to 10 kHz)</td></tr> <tr><td>3</td><td>PWM Low Frequency (<1 kHz)</td></tr> <tr><td>51</td><td>PWM High Frequency (>100 Hz)</td></tr> <tr><td>5</td><td>16-bit Counter</td></tr> <tr><td>6</td><td>Digital (normal)</td></tr> <tr><td>61</td><td>Digital (inverse)</td></tr> <tr><td>62</td><td>Digital (latched)</td></tr> </tbody> </table> <p>All inputs with the exception of 16-Bit Counter are sampled every 1ms. Analog Input types have a 12-bit resolution.</p> <p>With current inputs, short circuit protection is provided.</p>	Setpoint	Input Type	0	Disabled	1	Voltage (0-5 V)	13	Voltage (0-10 V)	2	Current (0-20 mA)	21	Current (4-20 mA)	40	Frequency (0.5 to 50 Hz)	41	Frequency (10 Hz to 1 kHz)	4	Frequency (100 Hz to 10 kHz)	3	PWM Low Frequency (<1 kHz)	51	PWM High Frequency (>100 Hz)	5	16-bit Counter	6	Digital (normal)	61	Digital (inverse)	62	Digital (latched)										
Setpoint	Input Type																																								
0	Disabled																																								
1	Voltage (0-5 V)																																								
13	Voltage (0-10 V)																																								
2	Current (0-20 mA)																																								
21	Current (4-20 mA)																																								
40	Frequency (0.5 to 50 Hz)																																								
41	Frequency (10 Hz to 1 kHz)																																								
4	Frequency (100 Hz to 10 kHz)																																								
3	PWM Low Frequency (<1 kHz)																																								
51	PWM High Frequency (>100 Hz)																																								
5	16-bit Counter																																								
6	Digital (normal)																																								
61	Digital (inverse)																																								
62	Digital (latched)																																								
Minimum and Maximum Ratings	<table border="1" data-bbox="613 972 1214 1318"> <caption>Table 2.0. Absolute Maximum and Minimum Ratings</caption> <thead> <tr> <th>Characteristic</th> <th>Min</th> <th>Max</th> <th>Units</th> </tr> </thead> <tbody> <tr><td>Power Supply</td><td>8</td><td>60</td><td>V dc</td></tr> <tr><td>Voltage Input</td><td>0</td><td>43</td><td>V dc</td></tr> <tr><td>Current Input</td><td>0</td><td>21</td><td>mA</td></tr> <tr><td>Current Input – Voltage Level</td><td>0</td><td>12</td><td>Vdc</td></tr> <tr><td>Digital Type Input – Voltage Level</td><td>0</td><td>43</td><td>Vdc</td></tr> <tr><td>PWM Duty Cycle</td><td>0</td><td>100</td><td>%</td></tr> <tr><td>PWM Frequency</td><td>50</td><td>10 000</td><td>Hz</td></tr> <tr><td>PWM Voltage pk - pk</td><td>0</td><td>43</td><td>V dc</td></tr> <tr><td>RPM Frequency</td><td>50</td><td>10 000</td><td>Hz</td></tr> </tbody> </table>	Characteristic	Min	Max	Units	Power Supply	8	60	V dc	Voltage Input	0	43	V dc	Current Input	0	21	mA	Current Input – Voltage Level	0	12	Vdc	Digital Type Input – Voltage Level	0	43	Vdc	PWM Duty Cycle	0	100	%	PWM Frequency	50	10 000	Hz	PWM Voltage pk - pk	0	43	V dc	RPM Frequency	50	10 000	Hz
Characteristic	Min	Max	Units																																						
Power Supply	8	60	V dc																																						
Voltage Input	0	43	V dc																																						
Current Input	0	21	mA																																						
Current Input – Voltage Level	0	12	Vdc																																						
Digital Type Input – Voltage Level	0	43	Vdc																																						
PWM Duty Cycle	0	100	%																																						
PWM Frequency	50	10 000	Hz																																						
PWM Voltage pk - pk	0	43	V dc																																						
RPM Frequency	50	10 000	Hz																																						
Input Accuracy	<table border="1" data-bbox="613 1335 1295 1585"> <caption>Table 3.0. Input Accuracy</caption> <thead> <tr> <th>Input Type</th> <th>Accuracy</th> <th>Resolution</th> </tr> </thead> <tbody> <tr><td>Voltage</td><td>+/- 1%</td><td>1 [mV]</td></tr> <tr><td>Current</td><td>+/- 1%</td><td>1 [uA]</td></tr> <tr><td>PWM</td><td>+/- 1% (<5kHz) +/- 2% (>5kHz)</td><td>0.1 [%]</td></tr> <tr><td>Frequency/RPM</td><td>+/- 1%</td><td>0.01 [Hz]</td></tr> </tbody> </table>	Input Type	Accuracy	Resolution	Voltage	+/- 1%	1 [mV]	Current	+/- 1%	1 [uA]	PWM	+/- 1% (<5kHz) +/- 2% (>5kHz)	0.1 [%]	Frequency/RPM	+/- 1%	0.01 [Hz]																									
Input Type	Accuracy	Resolution																																							
Voltage	+/- 1%	1 [mV]																																							
Current	+/- 1%	1 [uA]																																							
PWM	+/- 1% (<5kHz) +/- 2% (>5kHz)	0.1 [%]																																							
Frequency/RPM	+/- 1%	0.01 [Hz]																																							
Input Impedance	<p>0-5V: 1 MOhm 0-10V: 170 kOhm 0(4)-20mA: 249 Ohm Frequency/Digital Input: Pull Up/Pull Down 22 KOhm</p>																																								
Scan Rate	<p>Each input is scanned in 100uS. A complete scan of 10 inputs occurs with new measured values every 1mS.</p>																																								
Analog GND	<p>10 Analog GND connections are provided. Grounds are connected internally.</p>																																								

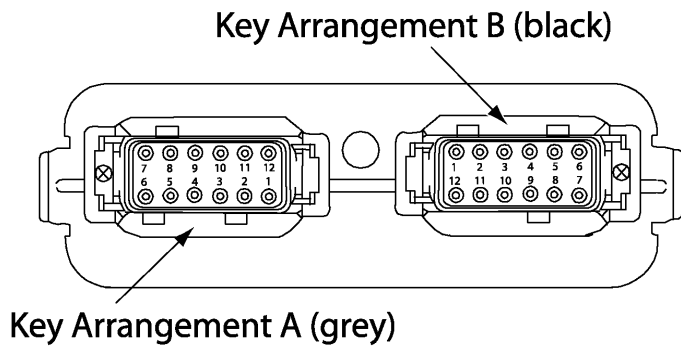
General Specifications

Microprocessor	STM32F205VGT6
Communications	1 CAN port (2.0B, CANopen®)
EMC Compliance	CE marking
Vibration	MIL-STD-202G, Method 204D, test condition A – 10 g peak (Sine) MIL-STD-202G, Method 214A, test condition B – 7.65 Grms (Random)
Shock	MIL-STD-202G, Method 213B, test condition A 50 g half sine pulse, 6 ms, 6 pulses per axis
User Interface	EDS File
Software Reflashing	Electronic Assistant, AX070502
Network Termination	It is necessary to terminate the network with external termination resistors. The resistors are 120 Ohm, 0.25W minimum, metal film or similar type. They should be placed between CAN_H and CAN_L terminals at both ends of the network.
Control Logic	<i>Refer to the User Manual.</i>
Electrical Connections	TE Deutsch DTM series 24 pin receptacle (DTM13-12PA-12PB-R008) Mating plug: TE Deutsch DTM06-12SA and DTM06-12SB with 2 wedgelocks (WM12S) and 24 contacts (0462-201-20141). 20 AWG wire is recommended for use with contacts 0462-201-20141.
Enclosure and Dimensions	High Temperature Nylon housing – TE Deutsch PCB Enclosure (EEC-325X4B) 4.677 x 5.236 x 1.417 inches 118.80 x 133.00 x 36.00 mm (W x L x H excluding mating plugs)
Operating Conditions	-40 to 85°C (-40 to 185°F)
Weight	0.55 lb. (0.25 kg)
Protection	IP67, Unit is conformal coated in the housing.
Mounting	Mounting holes sized for ¼ inch or M6 bolts. The bolt length will be determined by the end-user's mounting plate thickness. The mounting flange of the controller is 0.63 inches (16 mm) thick. If the module is mounted without an enclosure, it should be mounted vertically with connectors facing left and right to reduce likelihood of moisture entry. The CAN wiring is considered intrinsically safe. The power wires are not considered intrinsically safe and so in hazardous locations, they need to be located in conduit or conduit trays at all times. The module must be mounted in an enclosure in hazardous locations for this purpose. All field wiring should be suitable for the operating temperature range. Install the unit with appropriate space available for servicing and for adequate wire harness access (6 inches or 15 cm) and strain relief (12 inches or 30 cm).

Dimensions and Typical Connections:

Model AX030131 has the same dimensions as shown below.





FRONT VIEW 24 PIN RECEPTACLE

Grey Connector		Black Connector	
Pin #	Function	Pin #	Function
1	Analog GND 5	1	Input 6
2	Analog GND 4	2	Input 7
3	Analog GND 3	3	Input 8
4	Analog GND 2	4	Input 9
5	Analog GND 1	5	Input 10
6	Batt -	6	CAN_H
7	Batt +	7	CAN_L
8	Input 1	8	+5V Reference
9	Input 2	9	Analog GND 9
10	Input 3	10	Analog GND 8
11	Input 4	11	Analog GND 7
12	Input 5	12	Analog GND 6

Notes:

CANopen® is a registered community trademark of CAN in Automation e.V.

Form: TDAX030131-10/02/20