

Laser Receiver

P/N: AX06400X

The Laser Receiver has a laser detection diode array consisting of 40 diodes. The diode array is 190 mm in length and it can be configured to detect one or two independent rotating laser beams. It has multiple configuration options to suit a variety of machine applications.

Features:

- Plexiglas lens
- 160 degree beam detection
- 190 mm (7.5 in.) beam detection height range
- Detects rotational lasers with rotation speed between 2-20 RPS.
- Detects rotational lasers within 630 nm – 850 nm and 1m – 150 m
- Reports RPS of received laser beam
- Resolution 2.3 mm
- Precision 3 mm (0.1 in.) or configurable
- 8-36Vdc (12V or 24Vdc nominal)
- SAE J1939 or CANopen models
- - 40 to +85°C
- IP69K
- 2 5-pin M12 connectors
- CE marking
- Vibration and shock compliance
- SAE J1939 model includes auto-baud-rate detect functionality
- Configurable with Electronic Assistant (model AX064000) or CANopen tools (model AX064001)



Applications: Off-highway Equipment

Ordering Part Numbers:

Laser Receiver, SAE J1939 with auto-baud-rate detect P/N: **AX064000**

Laser Receiver, CANopen P/N: **AX064001**

Accessories:

Electronic Assistant (for SAE J1939 model): **AX070502**

EDS File (for CANopen model)

Technical Specifications:

All specifications are typical at nominal input voltage and 25 degrees C unless otherwise specified.

Power Input	8...36Vdc (12V or 24V nominal)
CAN Port	Model AX064000 (SAE J1939 with auto-baud-rate detect) 1 SAE J1939 250kbit/s, 500kbit/s, 667kbit/s, 1Mbit/s. Automatic Baud Rate Detection Model AX064001 (CANopen®) 1 CANopen®
Interface with laser beam	160 degree beam detection 190 mm (7.5 in.) beam detection height range Detects rotational lasers with rotation speed between 2-20 RPS. Detects rotational lasers within 630 nm – 850 nm and 1m – 150 m Reports RPS of received laser beam Resolution is 2.3 mm. Precision 3 mm (0.1 in.)
User Interface	AX070502 Electronic Assistant for SAE J1939 models and to flash new firmware. EDS file for CANopen model AX064001
EMI Compliance	CE marking
Enclosure	Plexiglass Refer to the dimensional drawing, Figure 1.0.
Protection	IP69K
Vibration	MIL-STD-202G, Test 204D and 214A (Sine and Random) 10 g peak (Sine); 7.86 Grms peak (Random)
Shock	MIL-STD-202G, Test 213B; 50 g
Weight	1.00 lb. (0.453 kg)
Temperature Rating	Operating: -40 to 85°C (-40 to 185°F) Storage: -50 to 90°C (-58 to 194°F)
Electrical Pinout	2 5-pin M12 connectors Refer to dimensional drawing, Figure 1.0.

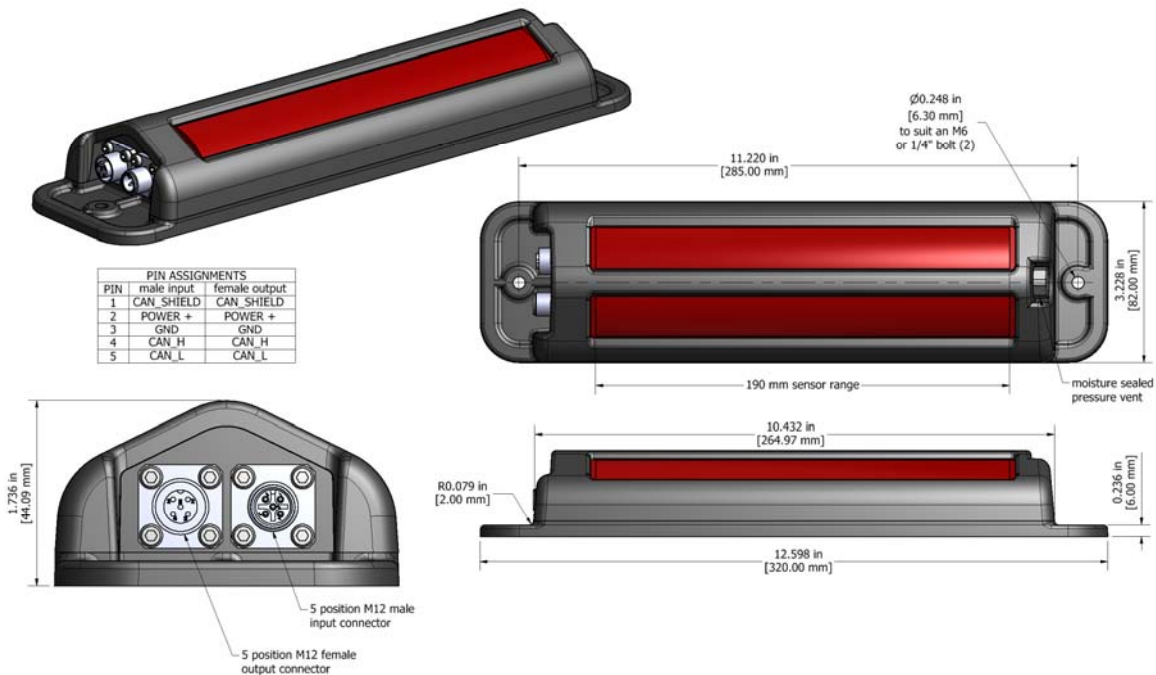


Figure 1. 0. – Dimensional Drawing

Notes:

CANopen® is a registered community trade mark of CAN in Automation e.V.

Specifications are indicative and subject to change. Actual performance will vary depending on the application and operating conditions. Users should satisfy themselves that the product is suitable for use in the intended application. All our products carry a limited warranty against defects in material and workmanship. Please refer to our Warranty, Application Approvals/Limitations and Return Materials Process as described on www.axiomatic.com/service.html.

Form: TDAX064000-12/03/20