

96Vdc to 24Vdc Converter

P/N: AX081900K

Features:

- Wide input operating voltage from 40 to 125 Vdc (96 Vdc nominal)
- Conditioned output of 24 Vdc with low ripple (factory set to 26 Vdc +/-3%)
- High current output capability (8 A nominal, 12 A peak)
- 200 Watts output power
- Switch mode operation delivers very high efficiency >95%
- Design manages heat dissipation avoiding forced cooling
- Reverse polarity protection
- Short circuit protection
- Robust, rugged and highly reliable
- Compact size for ease of mounting in confined spaces
- Suitable for moist, high shock and vibration environments
- Operational from -30 to +85°C
- IP65 protection
- Low emissions
- Meets input transient requirements of EN 50155/IEC 60571

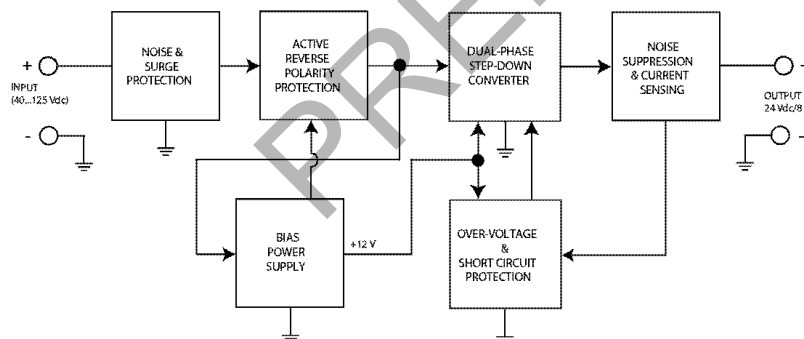


AX081900 DC-DC Converter



Mating Wire Harness, 2 m

BLOCK DIAGRAM



Applications:

Designed to interface between 96V batteries and 24V electrical systems such as 24V solenoids, relays and other electrical systems.

Typical end uses can include:

- Rail Equipment
- Telecom
- Control equipment for automating rugged machines

Ordering Part Numbers:

Converter with Wire Harness KIT:

AX081900K (KIT: AX081900 Converter, WH-DTP06-4S-S-2M Wire Harness)

Items can also be ordered individually.

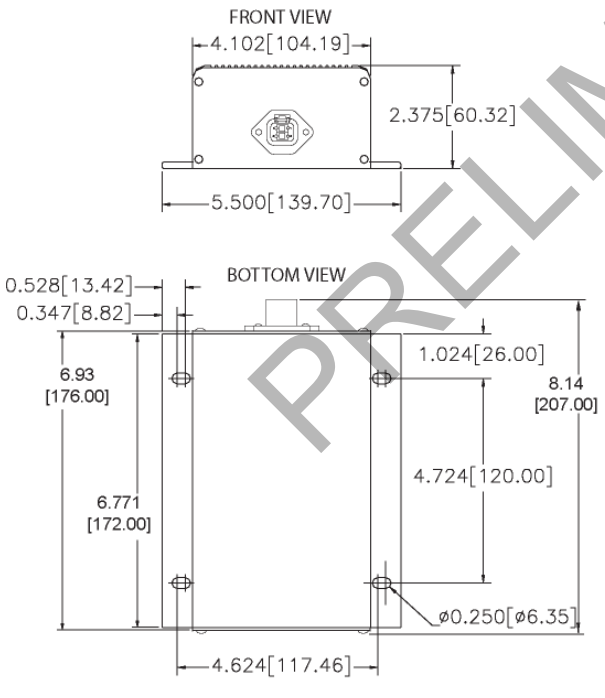
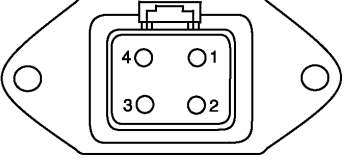
Converter: **AX081900**

Mating Wire Harness, 2 m: **WH-DTP06-4S-S-2M**

Technical Specifications:

All specifications are typical at nominal input voltage and 25 degrees C unless otherwise specified.

| Input Specifications | | Output Specifications | |
|---|--|---------------------------------|---|
| Power Source | 96 Vdc nominal | Nameplate Rating (Output Power) | 200 Watts nominal (300 Watts peak) |
| Operating Voltage Range | 40 to 125 Vdc | Output Current (DC) | 8 A continuous (12 A peak) |
| Maximum Input Current | 3A _{DC} @ 96 Vdc, 8 A output current | Output Voltage | 26 Vdc (nominal) ± 3% Factory Setting (24 - 28 Vdc) |
| Inrush Current | None | Output Voltage Ripple | V _{O(RIPPLE)} ≤ 100 mVpp |
| Reverse Voltage Protection | Provided | Turn-on Time (with full load) | 100 msec. Maximum / 5% of final value |
| Over-voltage Protection | Provided | Turn-on Overshoot | None |
| Under-voltage Protection | Provided | Stability | Stable at all load conditions (no minimum load required) |
| | | Transient Response | 200 mV/1.5 ms (No Load to Full Load) 100 mV/1 ms (50% - 100% Load) |
| | | Short Circuit Protection | Provided |
| | | Overload Protection | Output foldback to 10 A @ 0 Ohms |
| General Specifications | | | |
| Efficiency | >95% | | |
| Operating Temperature | -30 to +85°C (-20 to 185°F) | | |
| Storage Temperature | -40 to +100°C (-40 to 212°F) | | |
| Humidity | 0-99% relative humidity (non-condensing) | | |
| Protection rating | IP65 | | |
| Electrical Connection | 4 pin Deutsch connector P/N: DTP04-4P-L012 Power +, Power – Output +, Output – See page 3 for pinout. | | |
| Mating Wire Harness | A mating wire harness with 12 AWG unterminated lead wires is available. Ordering P/N: WH-DTP06-4S-S-2M (The mating wire harness is comprised of Deutsch P/N: DTP06-4S, WP4S and four contact sockets 0462-203-12141 with 2 meters (6.5 ft.) of 12 AWG lead wire, unterminated.) | | |
| Weight | 1.4 kg (3.08 lbs.) | | |
| Dimensions | 5.50 x 6.93 x 2.37 inches (W x L x H) (excluding connector) 139.7 x 176.0 x 60.3 mm | | |
| Installation: | | | |
| Set up | | | |
| <ol style="list-style-type: none"> 1. A 15A fuse is recommended at the input of the power supply. 2. Use four ¼-20 1 inch screws to mount the converter. 3. Snap the mating plug connector with wiring harness into the receptacle mounted on the converter. 4. Once the load is ready to receive power, turn on the power source to the converter. | | | |

| | |
|---|--|
| <p>Grounding</p> | <p>Protective Earth (PE) must be connected to the grounding stud to reduce the risk of electric shock. The conductor providing the connection should have a ring lug and wire larger than or equal to 4 mm² (12 AWG). The ring lug should be placed between the nut and a star washer. (To secure the ground strap, use an 8-32 "K-LOK" locknut, stainless steel, 3/8" O.D.)</p> <p>All chassis grounding should go to a single ground point designated for the machine and all related equipment.</p> <p>The ground strap that provides a low impedance path for EMI should be a ½ inch wide, flat, hollow braid, no more than 12 inches long with a suitable sized ring lug for the module's grounding lug. It may be used in place of the PE grounding conductor and would then perform both PE and EMI grounding functions.</p> |
| <p>Mounting</p> | <p>Mounting ledges include holes sized for ¼ inch or M6 bolts. The bolt length will be determined by the end-user's mounting plate thickness. Typically ¾ inch (20 mm) is adequate.</p> <p>If the module is mounted without an enclosure, it should be mounted vertically with connectors facing left and right to reduce likelihood of moisture entry.</p> <p>All field wiring should be suitable for the operating temperature range of the module.</p> <p>Install the unit with appropriate space available for servicing and for adequate wire harness access (6 inches or 15 cm) and strain relief (12 inches or 30 cm).</p> |
| <p>Mechanical Drawing</p>  <p>The drawing includes two views: a FRONT VIEW and a BOTTOM VIEW. The FRONT VIEW shows a rectangular component with a width of 4.102 inches [104.19] and a height of 2.375 inches [60.32]. The overall width including mounting holes is 5.500 inches [139.70]. The BOTTOM VIEW shows a larger rectangular footprint with a width of 4.624 inches [117.46] and a height of 6.771 inches [172.00]. It features four mounting holes with a diameter of 0.250 inches [6.35]. Other dimensions include 0.528 inches [13.42] for the top edge, 0.347 inches [8.82] for the bottom edge, 6.93 inches [176.00] for the left side, 8.14 inches [207.00] for the right side, and 1.024 inches [26.00] for the distance from the right edge to the center of the right-side holes. The distance between the centers of the two right-side holes is 4.724 inches [120.00].</p> <p>Dimensions: inches [mm]</p> | <p>Pin Out</p>  <p>1 Input + (red) 2 Output + (red/white) 3 Output - (black/white) 4 Input - (black)</p> |

Specifications are indicative and subject to change. Actual performance will vary depending on the application and operating conditions. Users should satisfy themselves that the product is suitable for use in the intended application. All our products carry a limited warranty against defects in material and workmanship. Please refer to our Warranty, Application Approvals/Limitations and Return Materials Process as described on www.axiomatic.com/service.html.

Form: TDAX081900-05/16/13
©2013 Axiomatic Technologies Corporation