

Features:

- Data exchange between a LIN network and a CAN network (CANopen®)
- 1 CAN port (CANopen®)
- 1 LIN single pin port (LIN 2.2)
- Operational from 9 to 32 Vdc (12 Vdc or 24 Vdc nominal)
- Integrated Deutsch IPD 6-pin connector
- Fully sealed enclosure with a rugged IP67 protection rating
- Meets the surge requirements of SAE J1445
- Designed for EMC compliance
- Compact size
- User configurable via standard CANopen tools, EDS provided



Applications:

- Mobile (Off-Highway) Equipment
- Agricultural Equipment

Ordering Part Numbers:

Protocol Converter, 1 LIN, 1 CANopen® - P/N: **AX140603**
EDS File

Protocol Converter, 1 LIN, 1 SAE J1939 - P/N: **AX140600**
Protocol Converter, 1 LIN, 1 SAE J1939, Extended - P/N: **AX140600-03**

Accessories:

Mating Plug KIT: **AX070119**

BLOCK DIAGRAM

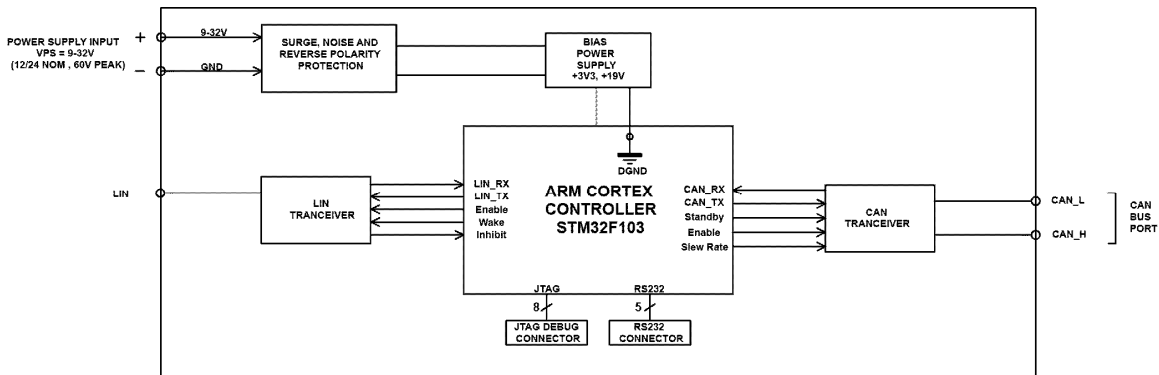


Figure 1.0 – Block Diagram

Technical Specifications:

Typical at nominal input voltage and 25 degrees C unless otherwise specified

Power

Power Supply Input - Nominal	12 V or 24 Vdc nominal; 9...32 Vdc
Surge Protection	Meets the surge requirements of SAE J1445
Reverse Polarity Protection	Provided

Control Software

Control Logic	Refer to the User Manual.
---------------	---------------------------

General Specifications

Memory	STM32F205 32-bit, 512 Kbytes Flash Program Memory																
LIN Port	1 LIN (LIN 2.2)																
CAN Port	1 CAN (CANopen®)																
Power Supply Current	32mA @ 24Vdc, 40mA @ 12Vdc																
Operating Conditions	-40 to 85°C (-40 to 185°F)																
Weight	0.15 lb. (0.068 kg)																
Protection Rating	IP67																
Vibration	Random Vibration: 7.68 Grms peak Sinusoidal Component: 10 g peak Based on MIL-STD-202G, Methods 204G and 214A																
Shock	50 g half sine pulse, 9ms per axis Based on MIL-STD-202G, Method 213B, Test Condition A																
Enclosure and Dimensions	Plastic Enclosure, Nylon 6-6 with 30% glass fill Integral Deutsch IPD connector Refer to dimensional drawing (Figure 2.0).																
Electrical Connections	6 pin Deutsch IPD connector P/N: DT04-6P A mating plug kit is available as Axiomatic P/N: AX070119 . <table border="1" data-bbox="597 1087 1024 1304"> <thead> <tr> <th colspan="2">CAN and I/O Connector</th> </tr> <tr> <th>Pin #</th> <th>Description</th> </tr> </thead> <tbody> <tr> <td>1</td> <td>CAN_SH</td> </tr> <tr> <td>2</td> <td>CAN_L</td> </tr> <tr> <td>3</td> <td>CAN_H</td> </tr> <tr> <td>4</td> <td>LIN</td> </tr> <tr> <td>5</td> <td>BATT+</td> </tr> <tr> <td>6</td> <td>BATT-</td> </tr> </tbody> </table>	CAN and I/O Connector		Pin #	Description	1	CAN_SH	2	CAN_L	3	CAN_H	4	LIN	5	BATT+	6	BATT-
CAN and I/O Connector																	
Pin #	Description																
1	CAN_SH																
2	CAN_L																
3	CAN_H																
4	LIN																
5	BATT+																
6	BATT-																
Software Reflashing	Electronic Assistant® AX070502																
User Interface	EDS file is downloaded from axiomatic.com . Go to the log-in tab and enter the password. (Contact sales@axiomatic.com for the password.) Configurable with standard CANopen tools																

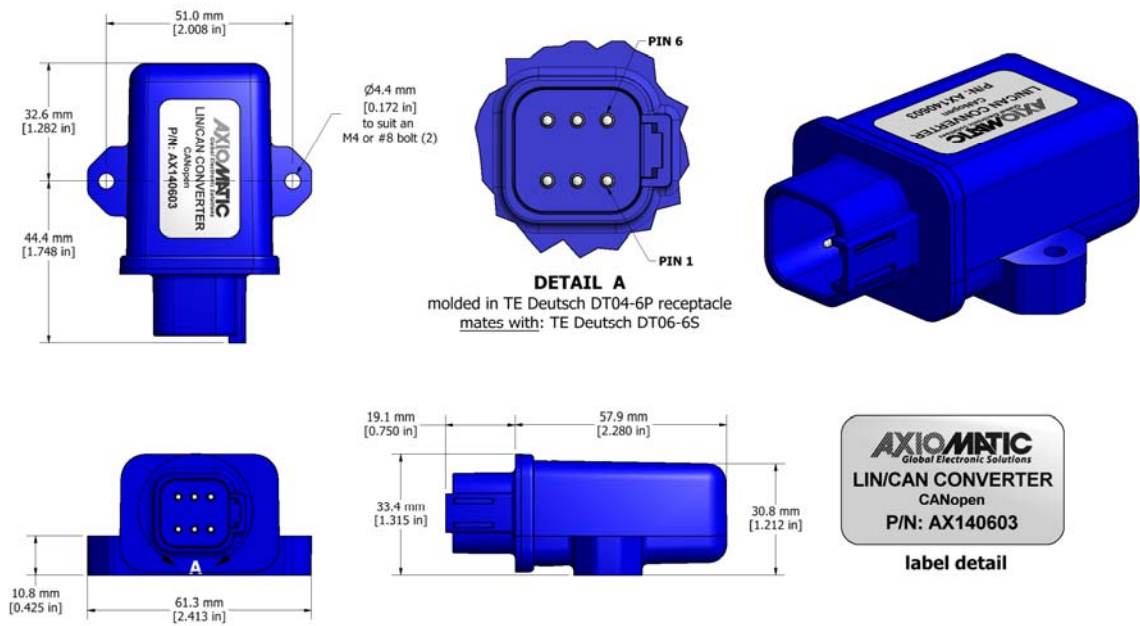


Figure 2.0 – Dimensional Drawing

Notes:

CANopen® is a registered community trademark of CAN in Automation e.V.

Specifications are indicative and subject to change. Actual performance will vary depending on the application and operating conditions. Users should satisfy themselves that the product is suitable for use in the intended application. All our products carry a limited warranty against defects in material and workmanship. Please refer to our Warranty, Application Approvals/Limitations and Return Materials Process as described on www.axiomatic.com/service.html.

Form: TDAX140603-05/02/20