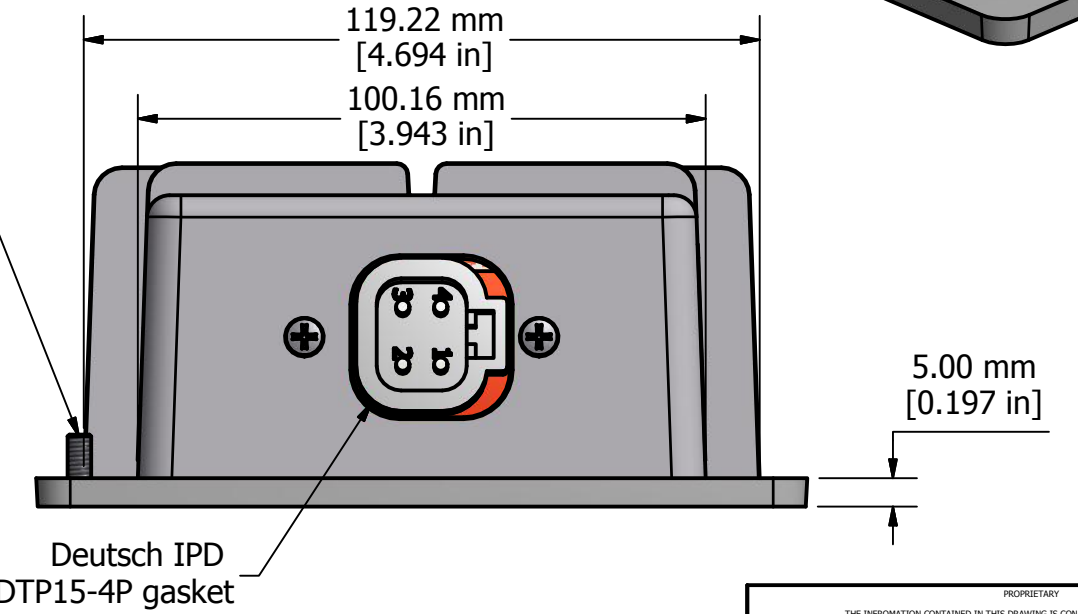
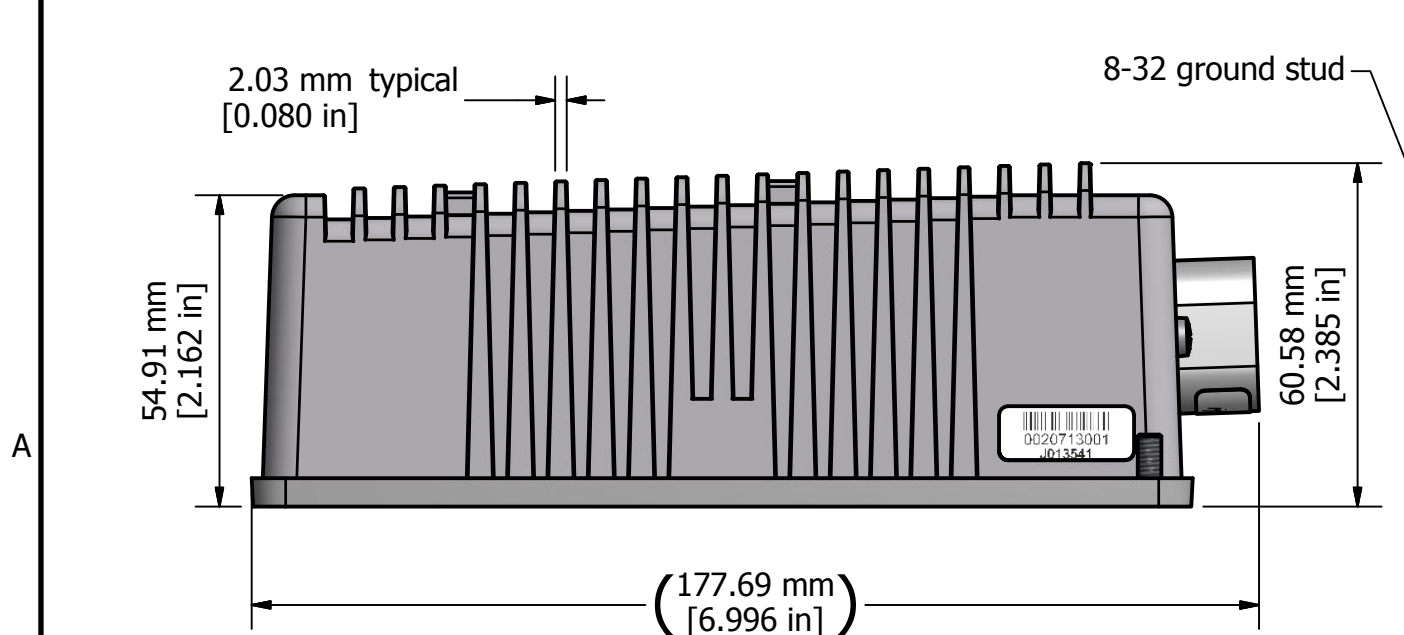
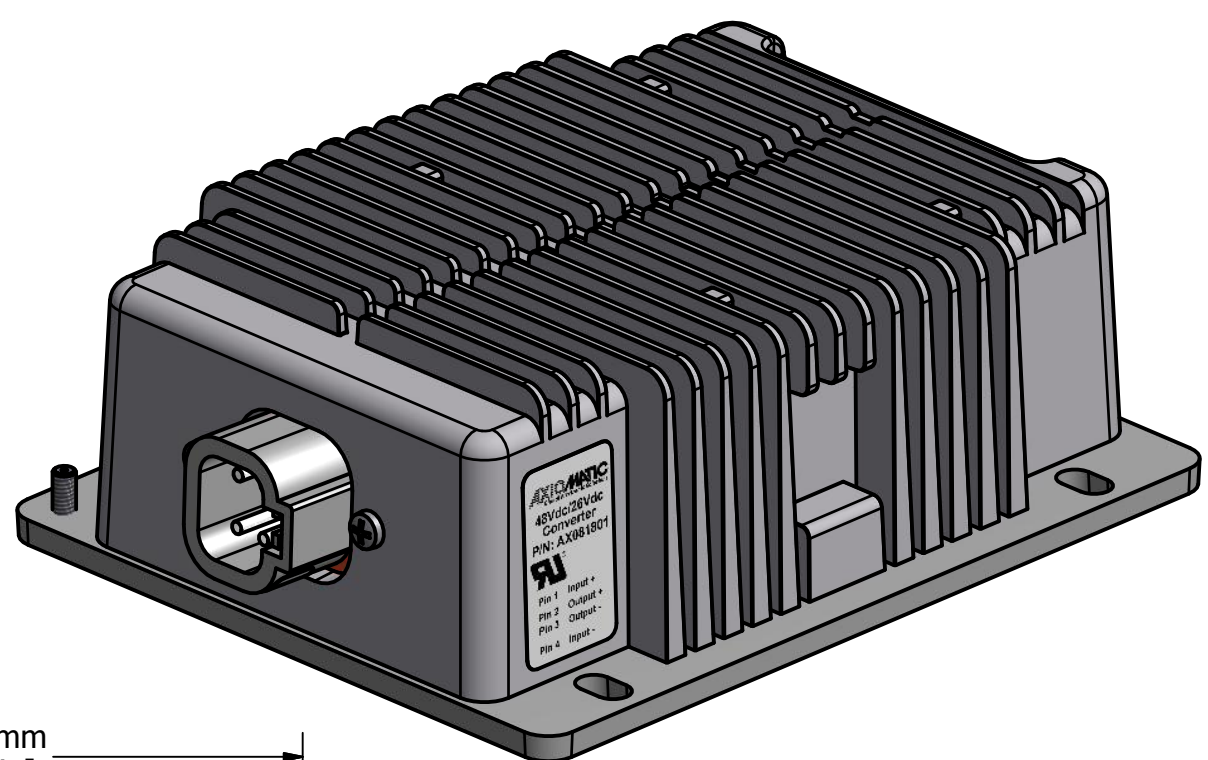


REVISION			
REV	DESCRIPTION	DATE	APPROVED
R2-D1	released for prototype	July 17-2014	NM
R3-D1	updates to PCB	March 18-2015	NM
A-D1	released to production ECN15-0070	September 15-2015	NM



label detail

TOLERANCES		MATERIAL		DRAWN		DATE		TITLE			
fabrication	machining	die cast	aluminum	TF	17/07/2014	48Vdc - 26Vdc Converter					
X.XXX +/- 0.015	X.XXX +/- 0.005	enclosure		CHECKED	DL	DWG REV	D1	DWG NO	AX081801-MD-A	PART REV	2
X.XX +/- 0.031	X.XX +/- 0.010			APPROVED	DL	SCALE	full	PART NO	AX081801	SHEET	1 of 1
X.X +/- 0.031	X.X +/- 0.015										
fractional +/- 0.031	fractional +/- 0.031										

PROPRIETARY
THE INFORMATION CONTAINED IN THIS DRAWING IS CONFIDENTIAL AND PROPRIETARY AND REMAINS THE EXCLUSIVE PROPERTY OF AXIOMATIC TECHNOLOGIES CORPORATION. THIS DRAWING MAY NOT BE USED, REPRODUCED IN WHOLE OR IN PART, NOR REVEALED TO OTHERS WITHOUT THE PRIOR WRITTEN CONSENT OF AXIOMATIC TECHNOLOGIES CORPORATION. BY ACCEPTANCE OF THIS DRAWING, THE BEARER AGREES TO THESE CONDITIONS.

AXIOMATIC TECHNOLOGIES CORPORATION
5915 WALLACE ST.
MISSISSAUGA, ON
CANADA L4Z1Z8
905-602-9270