

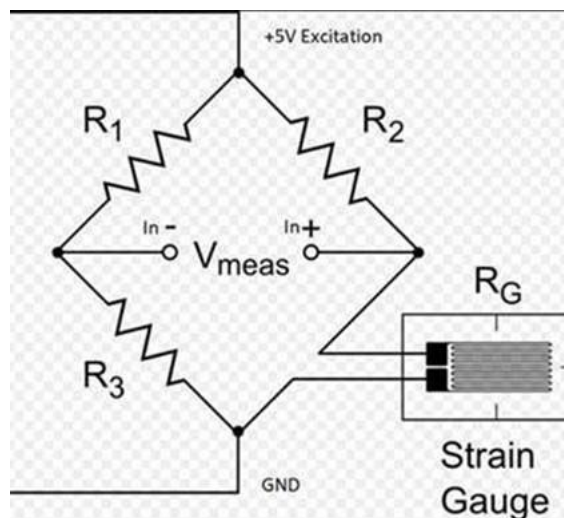
# AN201 – Connecting Axiomatic Strain Gauge CAN Controllers to a Rosette Strain Gauge

## Introduction

Products in the AX200xxx series of strain gauge controllers can be connected to a rosette strain gauge using a wheatstone bridge.

## Connecting

1. When connecting products in the Axiomatic AX200xxx series to a rosette, a wheatstone bridge is required. The Axiomatic units do not have built-in wheatstone bridges.
2. The strain gauge's wheatstone bridge has 4 connections:
  - a. Reference Voltage
  - b. GND
  - c. Differential input+
  - d. Differential input –
3. Each strain gauge in the rosette will have 2 leads which connect to the bridge.



4. R1-R3 need to be sized such that, when untouched, Rg provides In- and In+ with the same values – measuring (essentially) 0 difference between the bridge.
5. Each strain gauge in your rosette needs to be connected as the 'fourth piece' of a wheatstone bridge to complete it.

<b>Version</b>	<b>Date</b>	<b>Authors</b>	<b>Comments</b>
1.00	June 28, 2019	Gustavo Del Valle / Sue Thomas	Initial Release
1.01	July 4, 2019	Gustavo Del Valle / Sue Thomas	Updated the title for generic strain gauge
1.02	July 5, 2023	Kiril Mojsov	Legacy Updates & Marketing Review