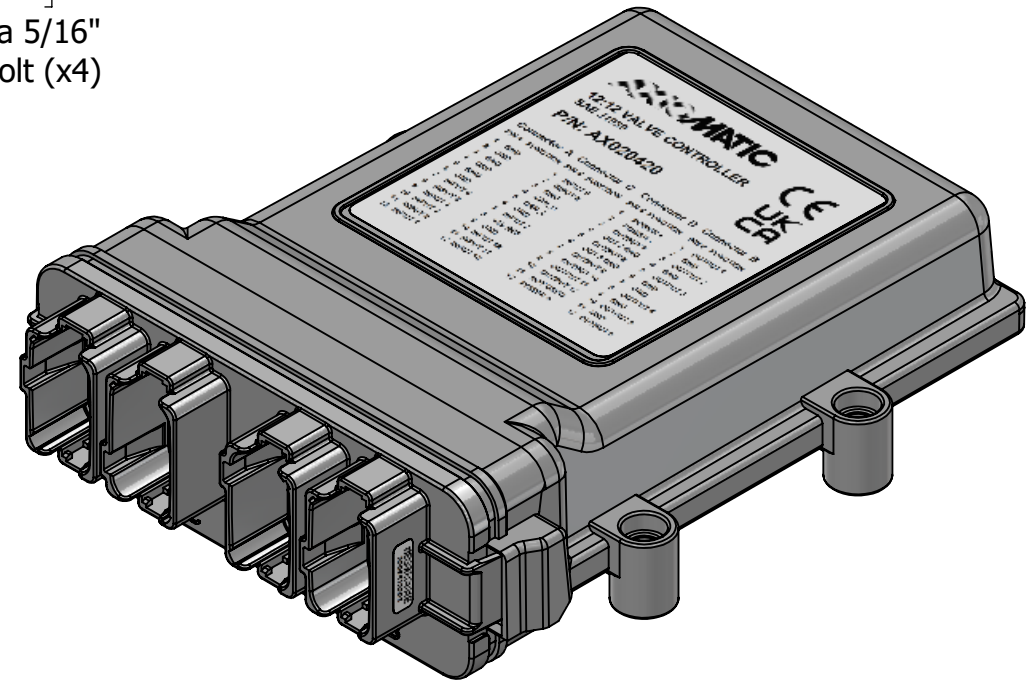
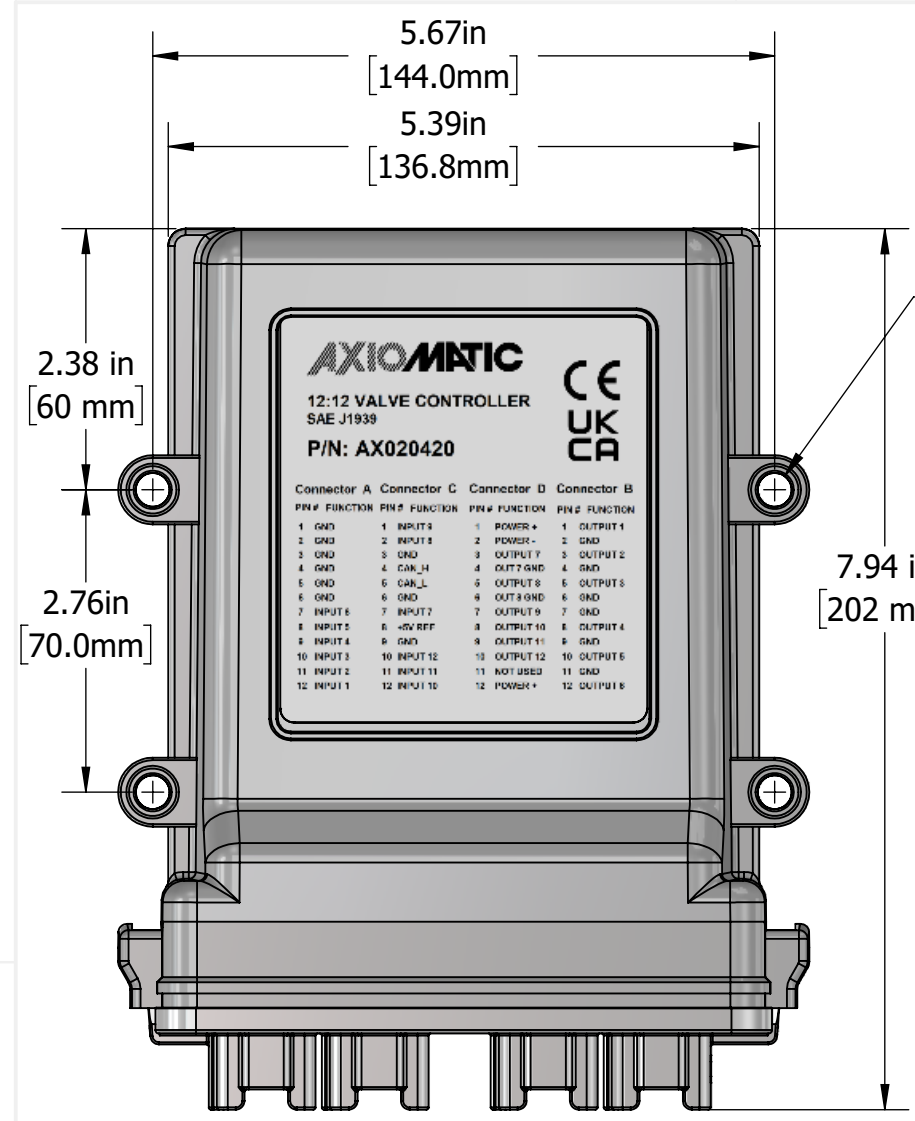


4

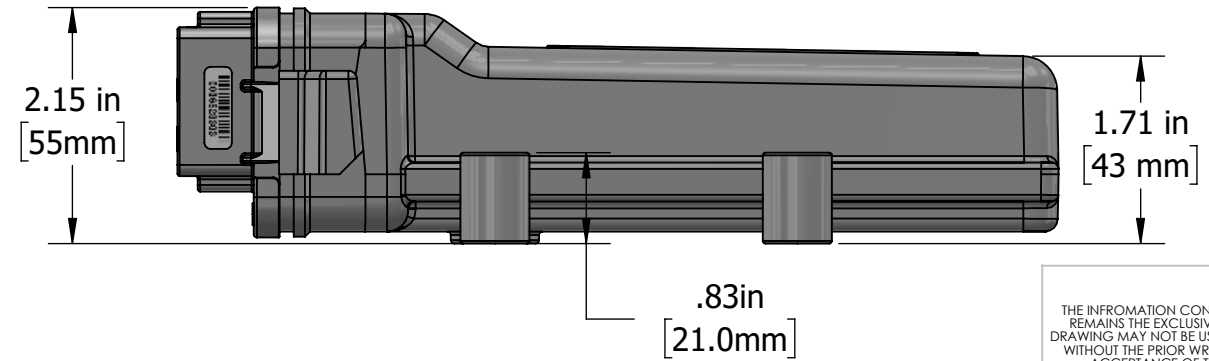
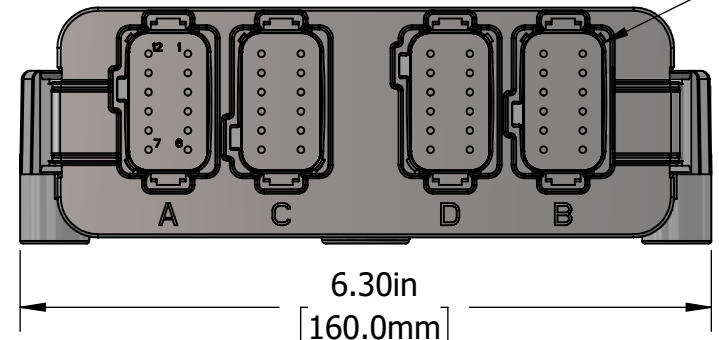
3

2

1



**TE Deutsch DT-13-48PABCD-R015**  
mates with TE Deutsch DT06-12S plugs,  
all modifications, keyed A - B - C - D



REVISION HISTORY				
REV.	DESCRIPTION	DATE	DRAWN	APPROVED
P2-D1	LABEL UPDATED	2024-12-18	TF	GDV
P3-D3	SMT UPDATED	2025-03-15	AZ	GDV
A-D1	RELEASED TO A (RFA24-0106)	2025-03-15	AZ	GDV
A-D2	LABEL UPDATED(ECN26-0065)	2026-04-13	JA	GDV

**AXIOMATIC**  
12:12 VALVE CONTROLLER  
SAE J1939  
P/N: AX020420

Connector A		Connector C		Connector D		Connector B	
PIN #	FUNCTION	PIN #	FUNCTION	PIN #	FUNCTION	PIN #	FUNCTION
1	GND	1	INPUT 9	1	POWER +	1	OUTPUT 1
2	GND	2	INPUT 8	2	POWER -	2	GND
3	GND	3	GND	3	OUTPUT 7	3	OUTPUT 2
4	GND	4	CAN_H	4	OUT 7 GND	4	GND
5	GND	5	CAN_L	5	OUTPUT 8	5	OUTPUT 3
6	GND	6	GND	6	OUT 8 GND	6	GND
7	INPUT 6	7	INPUT 7	7	OUTPUT 9	7	GND
8	INPUT 5	8	+5V REF	8	OUTPUT 10	8	OUTPUT 4
9	INPUT 4	9	GND	9	OUTPUT 11	9	GND
10	INPUT 3	10	INPUT 12	10	OUTPUT 12	10	OUTPUT 5
11	INPUT 2	11	INPUT 11	11	NOT USED	11	GND
12	INPUT 1	12	INPUT 10	12	POWER +	12	OUTPUT 6

**UNIT LABEL DETAIL**

**PROPRIETARY AND CONFIDENTIAL**  
THE INFORMATION CONTAINED IN THIS DRAWING IS CONFIDENTIAL AND PROPRIETARY AND REMAINS THE EXCLUSIVE PROPERTY OF AXIOMATIC TECHNOLOGIES CORPORATION. THIS DRAWING MAY NOT BE USED, REPRODUCED IN WHOLE OR IN PART, NOR REVEALED TO OTHERS WITHOUT THE PRIOR WRITTEN CONSENT OF AXIOMATIC TECHNOLOGIES CORPORATION. BY ACCEPTANCE OF THIS DRAWING, THE BEARER AGREES TO THESE CONDITIONS.

**AXIOMATIC**  
Global Electronic Solutions

AXIOMATIC TECHNOLOGIES CORPORATION  
1445 COURTNEY PARK DR E  
MISSISSAUGA, ON  
CANADA L5T2E3  
905-602-9270

DIMENSIONS ARE IN [mm] UNLESS OTHERWISE SPECIFIED IN DRAWING TOLERANCE ON: X.XXX [.XX] ± 0.008 [0.20] X.XX [X.X] ± 0.02 [0.51] X.X ± 0.4 [1.00] ANGLES ± 1.0° Others follow ISO 2768-2, tolerance class K	MATERIAL	N/A	DRAWN	TF	DATE	2023-08-21	TITLE: 12:12 VALVE CONTROLLER SAE J1939					
	FINISH	N/A	QA	-	DATE	-	DWG REV	D2	DWG NO	AX020420-MD	PART REV	A
	THIRD ANGLE PROJECTION	TOOL	SOLIDWORKS	APPROVED	GDV	DATE	2024-11-18	SCALE	1:1.75	PART NO	AX020420	SHEET

4

3

2

1