

4

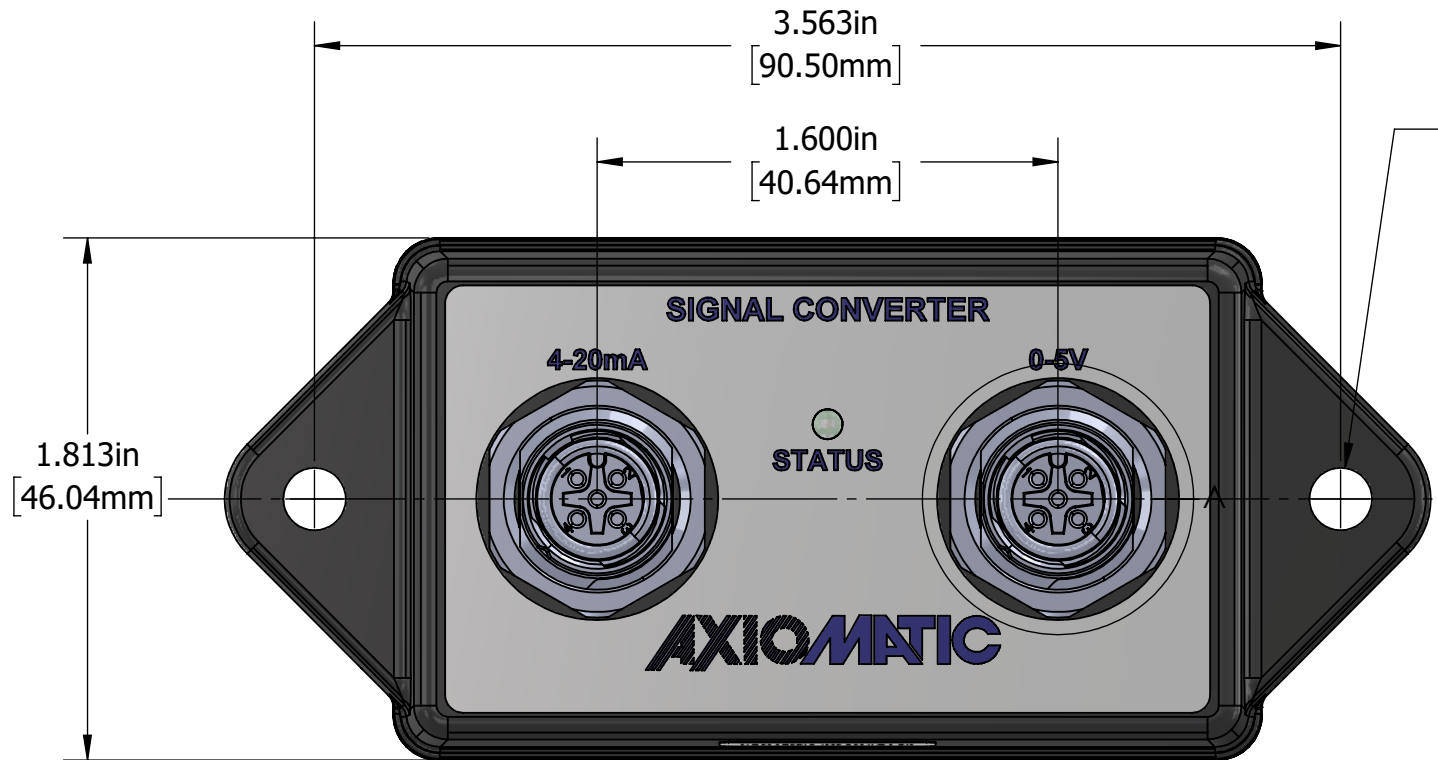
3

2

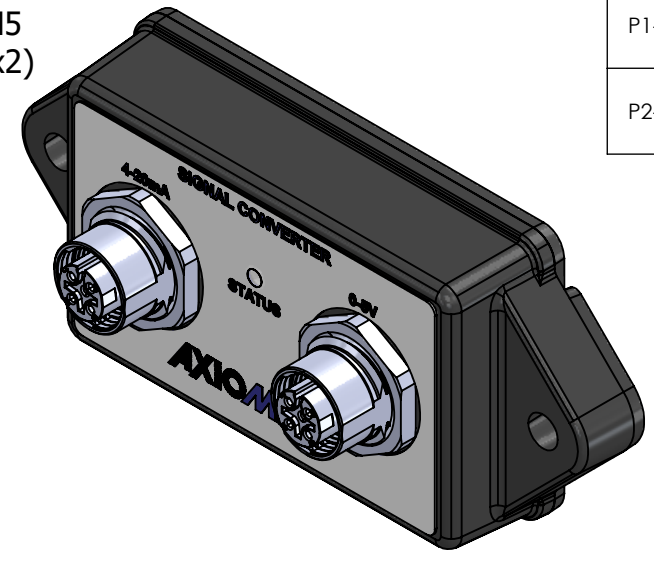
1

REVISION HISTORY				
REV.	DESCRIPTION	DATE	DRAWN	APPROVED
P1-D1	INITIAL RELEASED	2025-03-20	TF	GDV
P1-D2	UPDATES AFTER REVIEW	2025-03-31	TF	GDV
P2-D3	THE PARTS CHAGED	2025-12-16	JA	GDV

B

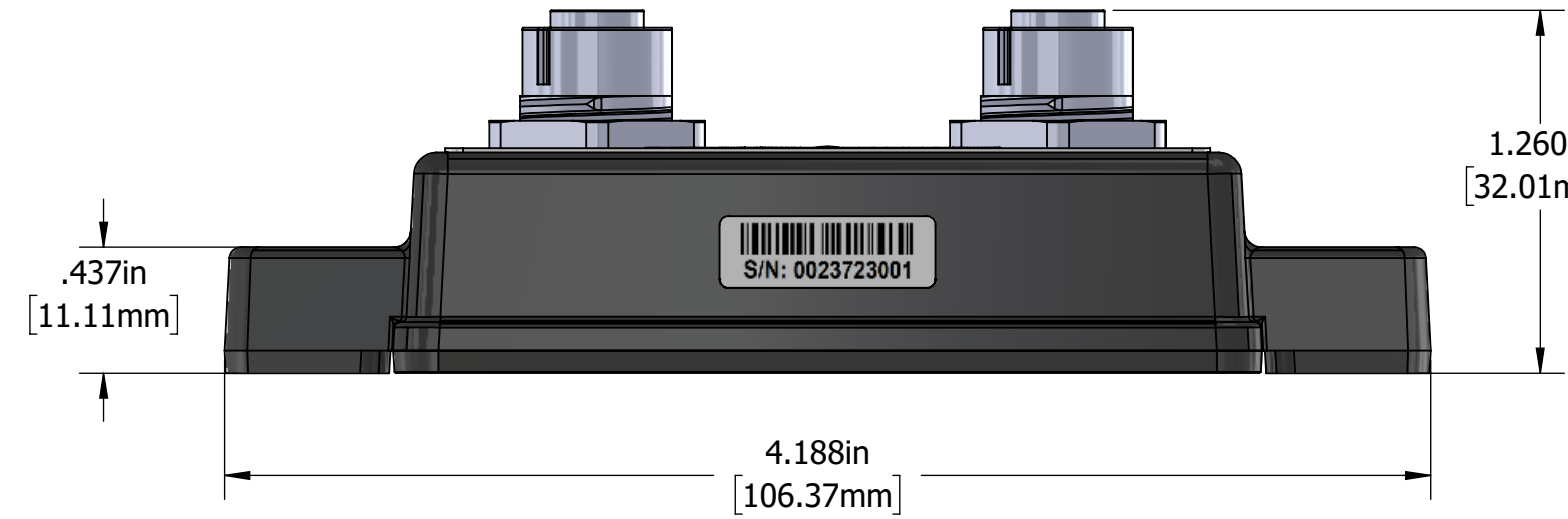


R.109in
[2.76mm]
To suit an M5
or #10 bolt(x2)

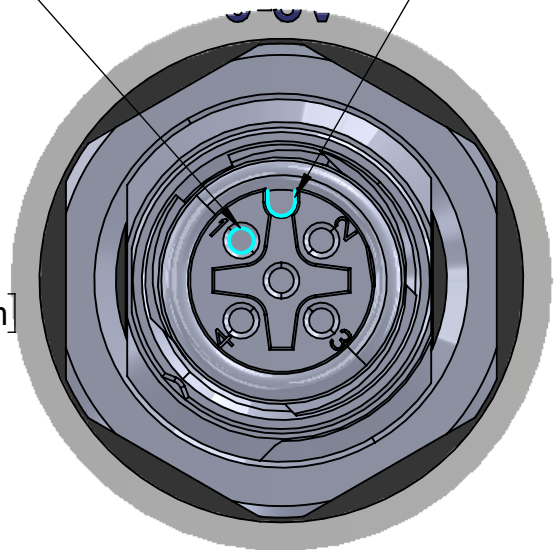


B

A



PIN 1 Connector keyway



DETAIL A
5 Position M12 A coded
female connector

AXIOMATIC
SIGNAL CONVERTER, 0-5VDC/4-20mA
PART NUMBER: AX030220
SERIAL NUMBER: 0012525415
MADE IN CANADA

LABEL DETAIL

4-20 mA CONNECTOR PINOUT		0-5V CONNECTOR PINOUT	
PIN	FUNCTION	PIN	FUNCTION
1	POWER +	1	+5 V REFERENCE OUTPUT
2	OUTPUT	2	INPUT
3	POWER -	3	INPUT GROUND
4	SHIELD	4	SHIELD
5	NOT USED	5	NOT USED

PROPRIETARY AND CONFIDENTIAL
THE INFORMATION CONTAINED IN THIS DRAWING IS CONFIDENTIAL AND PROPRIETARY AND REMAINS THE EXCLUSIVE PROPERTY OF AXIOMATIC TECHNOLOGIES CORPORATION. THIS DRAWING MAY NOT BE USED, REPRODUCED IN WHOLE OR IN PART, NOR REVEALED TO OTHERS WITHOUT THE PRIOR WRITTEN CONSENT OF AXIOMATIC TECHNOLOGIES CORPORATION. BY ACCEPTANCE OF THIS DRAWING, THE BEARER AGREES TO THESE CONDITIONS.

AXIOMATIC TECHNOLOGIES CORPORATION
1445 COURTNEY PARK DR E
MISSISSAUGA, ON
CANADA L5T2E3
905-602-9270

DIMENSIONS ARE IN [mm] UNLESS OTHERWISE SPECIFIED IN DRAWING TOLERANCE ON: X.XXX [.XX] ± 0.008 [0.20] X.XX [X.X] ± 0.02 [0.51] X.X ± 0.4 [1.00] ANGLES ± 1.0° Others follow ISO 2768-2, tolerance class K	MATERIAL	N/A	DRAWN	JA	DATE	2025-12-16	TITLE: SIGNAL CONVERTER, 0-5VDC/4-20 mA					
	FINISH	N/A	QA	-	DATE	-	DWG REV	D2	DWG NO	AX030220-MD	PART REV	P2-D3
THIRD ANGLE PROJECTION	TOOL	SOLIDWORKS	APPROVED	-	DATE	-	SCALE	1.5:1	PART NO	AX030220	SHEET	SHEET 1 OF 1
	SIZE	B										

4

3

2

1

A