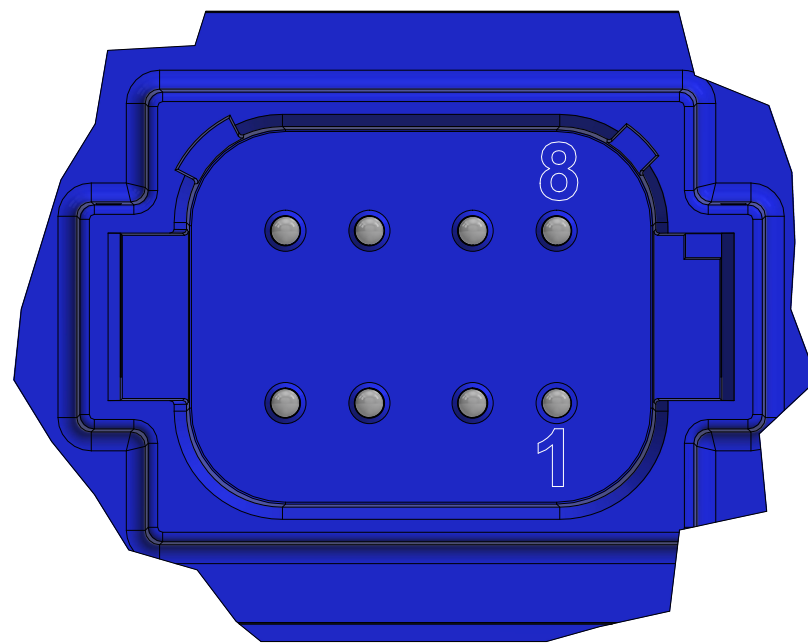
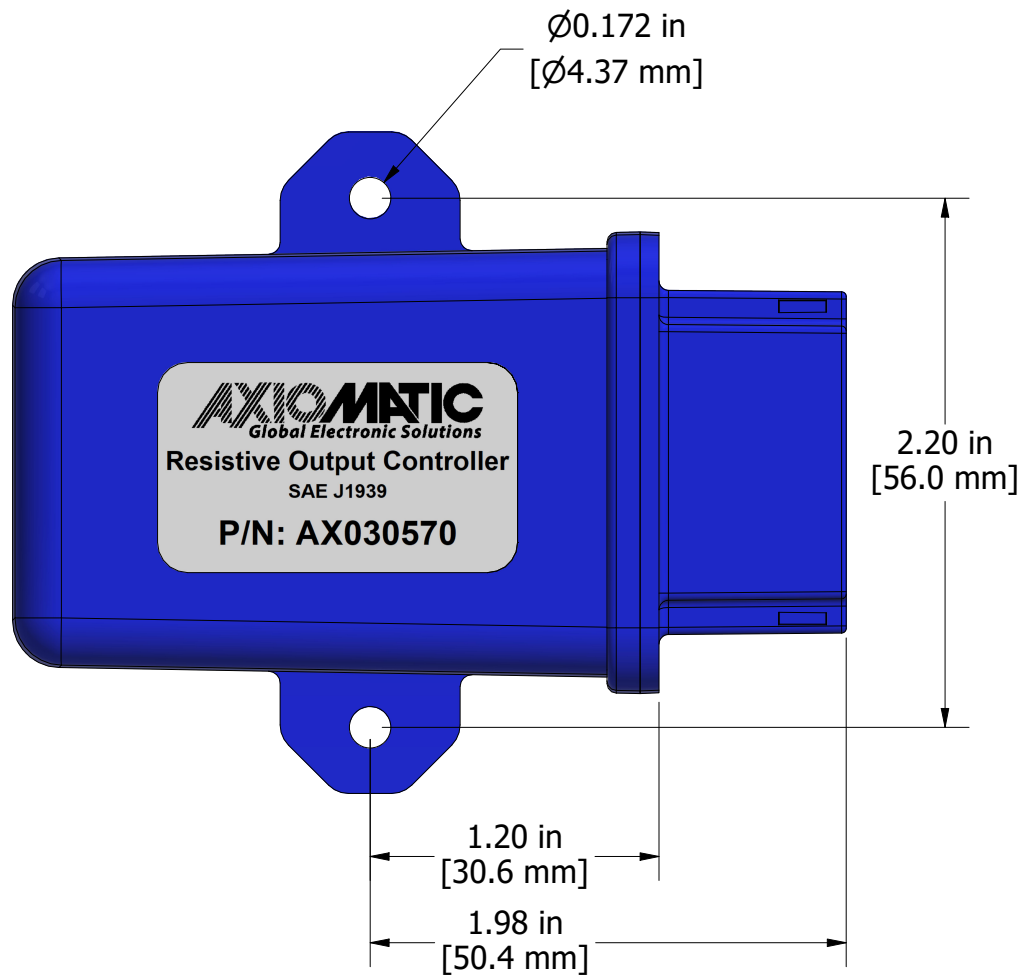
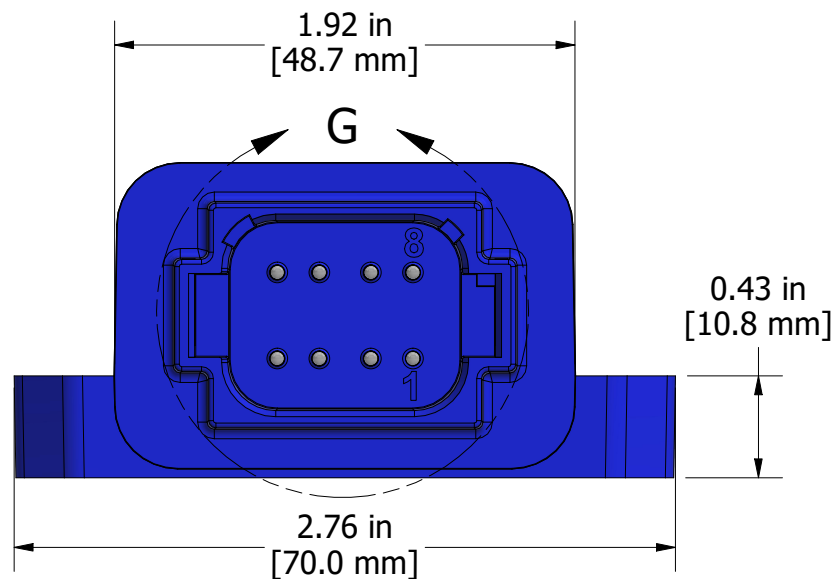
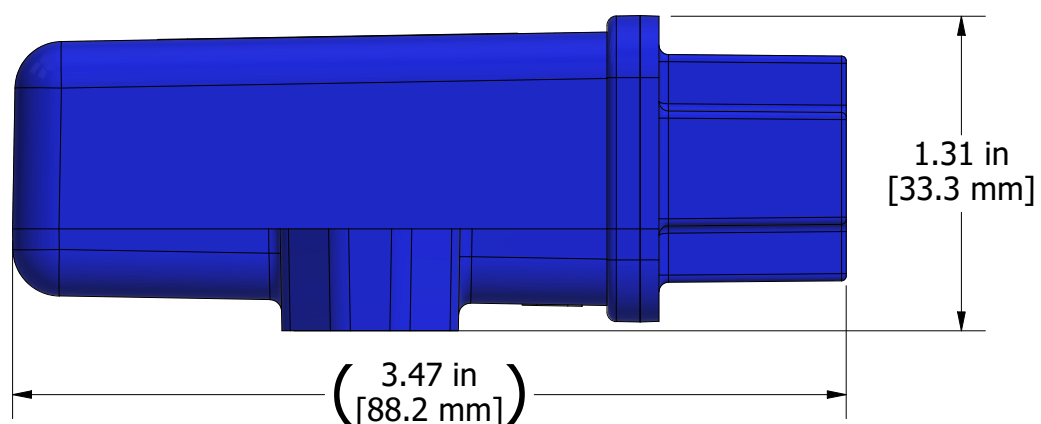
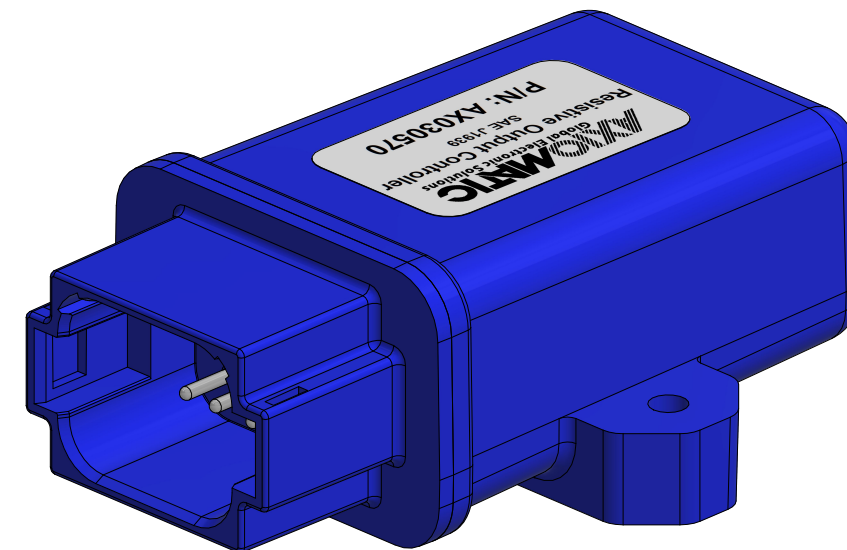


REVISION HISTORY			
REV	DESCRIPTION	DATE	APPROVED
P1-D1	initial release	February 13-2023	GDV
A-D1	release to production (RFA24-0085)	October 23-2024	GDV



**DETAIL G**  
 molded in TE Deutsch receptacle,  
 based on DT04-08PA, mates  
 with DT06-08SA



**unit label**

<small>PROPRIETARY</small> THE INFORMATION CONTAINED IN THIS DRAWING IS CONFIDENTIAL AND PROPRIETARY AND REMAINS THE EXCLUSIVE PROPERTY OF AXIOMATIC TECHNOLOGIES CORPORATION. THIS DRAWING MAY NOT BE USED, REPRODUCED IN WHOLE OR IN PART, NOR REVEALED TO OTHERS WITHOUT THE PRIOR WRITTEN CONSENT OF AXIOMATIC TECHNOLOGIES CORPORATION. BY ACCEPTANCE OF THIS DRAWING, THE BEARER AGREES TO THESE CONDITIONS.								<small>AXIOMATIC TECHNOLOGIES CORPORATION</small> 5915 WALLACE ST. MISSISSAUGA, ON CANADA L4Z 1Z8 905-602-9270			
MATERIAL NA	DRAWN TF	DATE 2023-02-13	TITLE Resistive Output Controller, J1939								
FINISH NA	CHECKED TF	DATE	DWG REV D1	DWG NO AX030570-MD	PART REV A						
THIRD ANGLE PROJECTION	TOOL INVENTOR SIZE B	APPROVED GDV	DATE	SCALE 1.25	PART NO FG-AX030570	SHEET 1 of 1					