

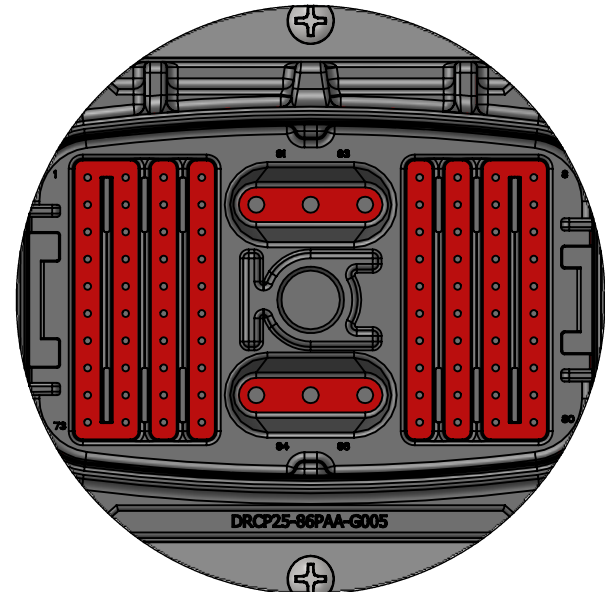
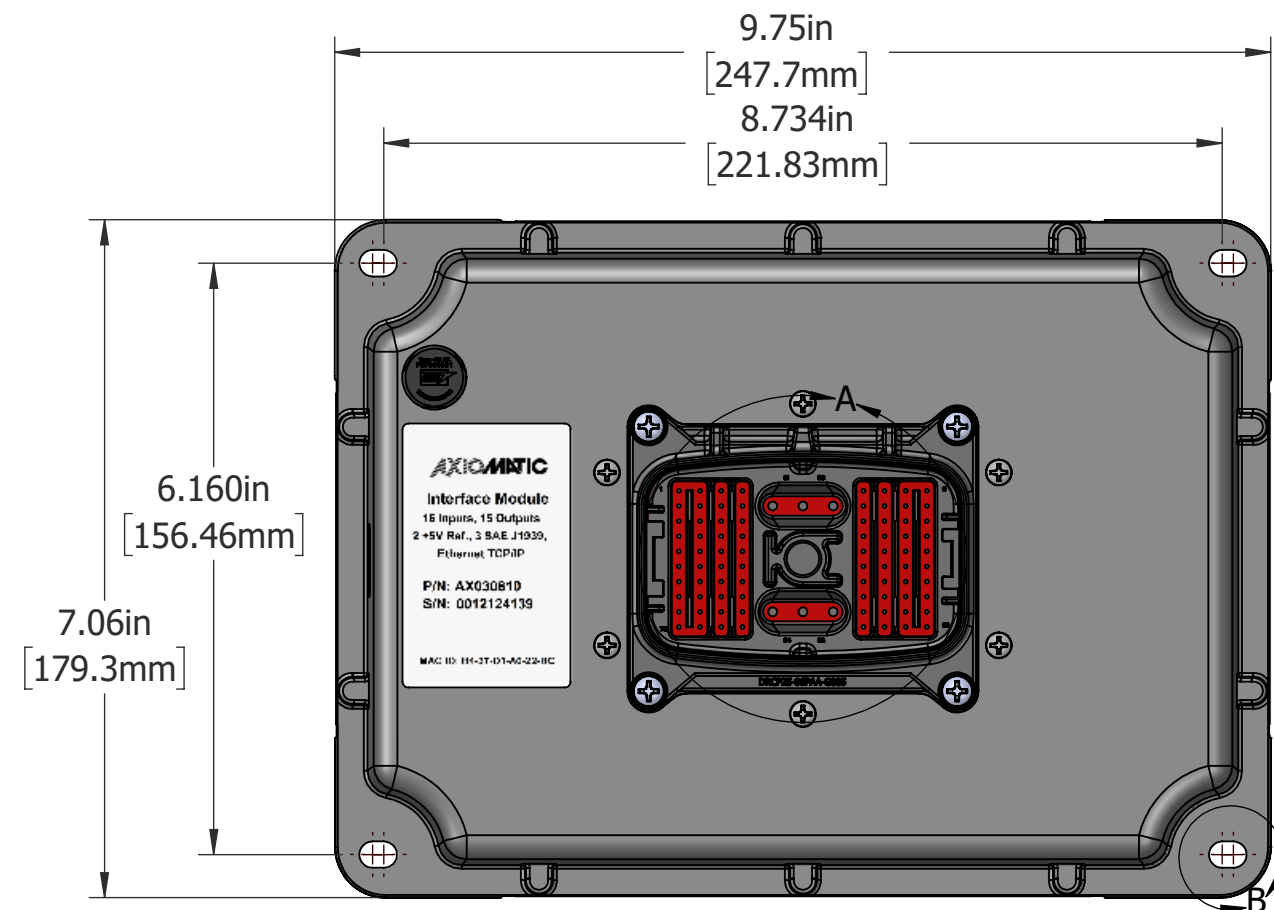
4

3

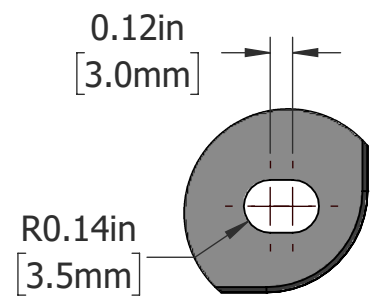
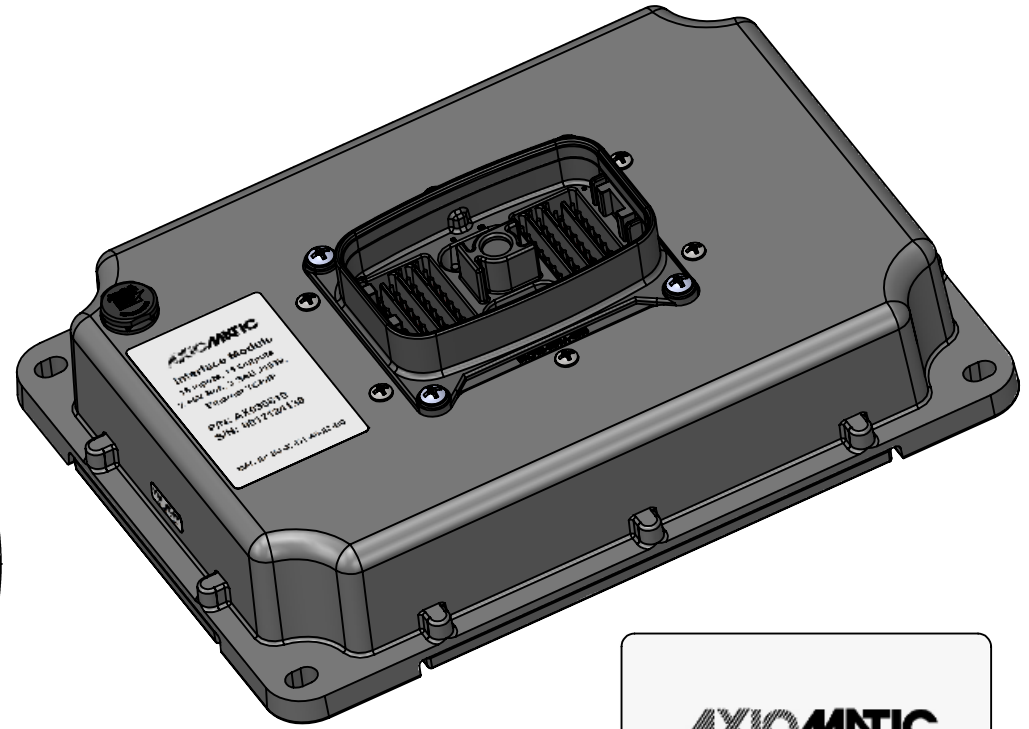
2

1

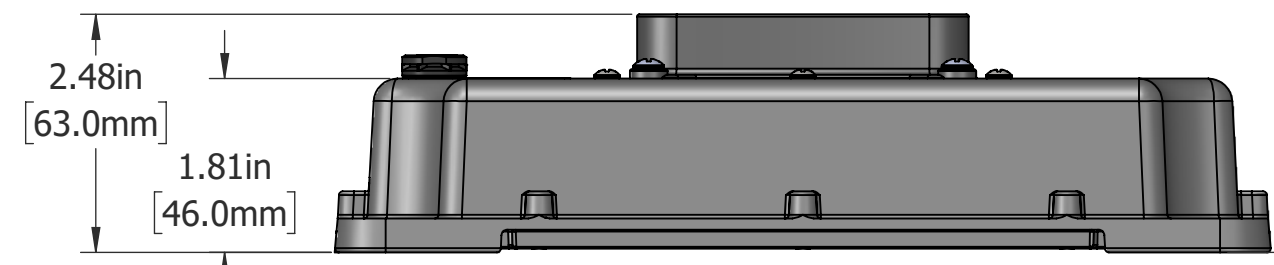
REVISIONS					
REV.	DESCRIPTION	DATE	DRAWN	QA	APPROVED
P2-D3	UPDATE SMT, HOUSING	2025-11-11	AZ	CM	GDV



**DETAIL A**  
 Deutsch DRCP25-86PAA-G005  
 86-Pin Connector  
 Mates With  
 Deutsch DRCP28-86SX



**DETAIL B**  
 Mounting Slots  
 To Suit M6 Or 1/4" Bolts



0.35in  
 [9.0mm]

**AXIOMATIC**

**Interface Module**  
 16 Inputs, 15 Outputs  
 2 +5V Ref., 3 SAE J1939,  
 Ethernet TCP/IP

**P/N: AX030810**  
**S/N: 0012124139**

MAC ID: B4-37-D1-A0-22-BC

**UNIT LABEL**

Note: See Sheet 2 For Connector Pinout.

**PROPRIETARY AND CONFIDENTIAL**

THE INFORMATION CONTAINED IN THIS DRAWING IS CONFIDENTIAL AND PROPRIETARY AND REMAINS THE EXCLUSIVE PROPERTY OF AXIOMATIC TECHNOLOGIES CORPORATION. THIS DRAWING MAY NOT BE USED, REPRODUCED IN WHOLE OR IN PART, NOR REVEALED TO OTHERS WITHOUT THE PRIOR WRITTEN CONSENT OF AXIOMATIC TECHNOLOGIES CORPORATION. BY ACCEPTANCE OF THIS DRAWING, THE BEARER AGREES TO THESE CONDITIONS.

AXIOMATIC TECHNOLOGIES CORPORATION  
 1445 COURTNEY PARK DR E  
 MISSISSAUGA, ON  
 CANADA L5T2E3  
 905-602-9270

DIMENSIONS ARE IN INCHES [mm]	MATERIAL	DRAWN	DATE	TITLE: <b>INTERFACE MODULE, 16 INPUTS, 15 OUTPUTS</b>		
	FINISH	AZ	2025-03-17	DWG REV	DWG NO	PART REV
UNLESS OTHERWISE SPECIFIED IN DRAWING TOLERANCE ON:	THIRD ANGLE PROJECTION	TOOL SOLIDWORKS	QA	DATE	SCALE	PART NO
			CM	2025-03-19		
X.XXX [XX] ±0.005 [0.13] X.XX [X.X] ±0.01 [0.25] (X.XX [X.X]) ±0.04 [1.00] ANGLES ±1.0° Others follow ISO 2768-2, tolerance class K	SIZE <b>B</b>	APPROVED	DATE	AX030810	SHEET	P2
		GDV	2025-03-19	AX030810	SHEET	1 OF 2

4

3

2

1

B

B

A

A

4

3

2

1

### CONNECTOR PINOUT TABLE

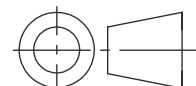
Pin1: IN1	Pin19: IN6	Pin37: SIG_RET	Pin55: SIG_RET	Pin73: IGNITION
Pin2: SIG_RET	Pin20: SIG_RET	Pin38: ADOUT11	Pin56: ADOUT8	Pin74: Spare
Pin3: IN2	Pin21: SIG_RET	Pin39: SIG_RET	Pin57: POUT1	Pin75: PWMOut13
Pin4: SIG_RET	Pin22: IN13	Pin40: ADOUT12	Pin58: POUT_RET	Pin76: SIG_RET
Pin5: SIG_RET	Pin23: SIG_RET	Pin41: ADOUT3	Pin59: POUT2	Pin77: RX_P
Pin6: IN9	Pin24: IN14	Pin42: SIG_RET	Pin60: POUT_RET	Pin78: RX_N
Pin7: SIG_RET	Pin25: IN7	Pin43: ADOUT4	Pin61: CAN2_L	Pin79: TX_P
Pin8: IN10	Pin26: SIG_RET	Pin44: SIG_RET	Pin62: CAN2_H	Pin80: TX_N
Pin9: IN3	Pin27: IN8	Pin45: SIG_RET	Pin63: CAN1_L	Pin81: BATT_P
Pin10: SIG_RET	Pin28: SIG_RET	Pin46: ADOUT9	Pin64: CAN1_H	Pin82: BATT_N
Pin11: IN4	Pin29: SIG_RET	Pin47: SIG_RET	Pin65: CAN3_H	Pin83: Spare
Pin12: SIG_RET	Pin30: IN15	Pin48: ADOUT10	Pin66: CAN3_L	Pin84: BATT_P
Pin13: SIG_RET	Pin31: SIG_RET	Pin49: ADOUT5	Pin67: +5Vref1	Pin85: BATT_N
Pin14: IN11	Pin32: IN16	Pin50: SIG_RET	Pin68: +5Vref2	Pin86: Spare
Pin15: SIG_RET	Pin33: ADOUT1	Pin51: ADOUT6	Pin69: Spare	
Pin16: IN12	Pin34: SIG_RET	Pin52: SIG_RET	Pin70: Spare	
Pin17: IN5	Pin35: ADOUT2	Pin53: SIG_RET	Pin71: Spare	
Pin18: SIG_RET	Pin36: SIG_RET	Pin54: ADOUT7	Pin72: Spare	

#### PROPRIETARY AND CONFIDENTIAL

THE INFORMATION CONTAINED IN THIS DRAWING IS CONFIDENTIAL AND PROPRIETARY AND REMAINS THE EXCLUSIVE PROPERTY OF AXIOMATIC TECHNOLOGIES CORPORATION. THIS DRAWING MAY NOT BE USED, REPRODUCED IN WHOLE OR IN PART, NOR REVEALED TO OTHERS WITHOUT THE PRIOR WRITTEN CONSENT OF AXIOMATIC TECHNOLOGIES CORPORATION. BY ACCEPTANCE OF THIS DRAWING, THE BEARER AGREES TO THESE CONDITIONS.

**AXIOMATIC**  
Global Electronic Solutions

AXIOMATIC TECHNOLOGIES CORPORATION  
1445 COURTNEY PARK DR E  
MISSISSAUGA, ON  
CANADA L5T2E3  
905-602-9270

DIMENSIONS ARE IN INCHES [mm]	MATERIAL	DRAWN	DATE	TITLE: <b>16UIN-14OUT-3CAN-ENET-SFTY, INTERFACE MODULE</b>			
	FINISH	AZ	2025-03-17	DWG REV	DWG NO	PART REV	
UNLESS OTHERWISE SPECIFIED IN DRAWING TOLERANCE ON:	THIRD ANGLE PROJECTION 	TOOL SOLIDWORKS	QA	DATE	D3	AX030810-MD	P2
			CM	2025-03-19	SCALE	PART NO	SHEET
X.XXX [.XX] ±0.005 [0.13] X.XX [X.X] ±0.01 [0.25] X.X [X.X] ±0.04 [1.00] ANGLES ±1.0° Others follow ISO 2768-2, tolerance class K	SIZE	B	APPROVED	DATE	1:2	AX030810	SHEET 2 OF 2
			GDV	2025-03-19			

4

3

2

1