

4

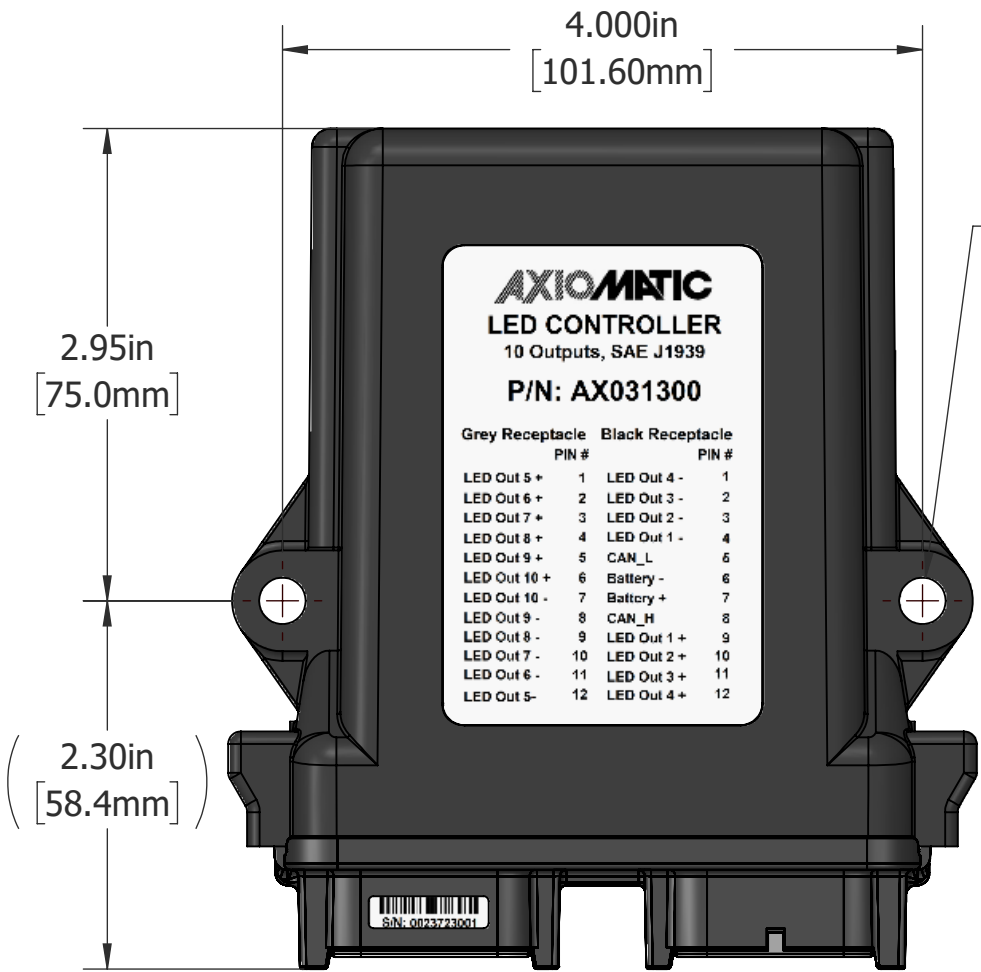
3

2

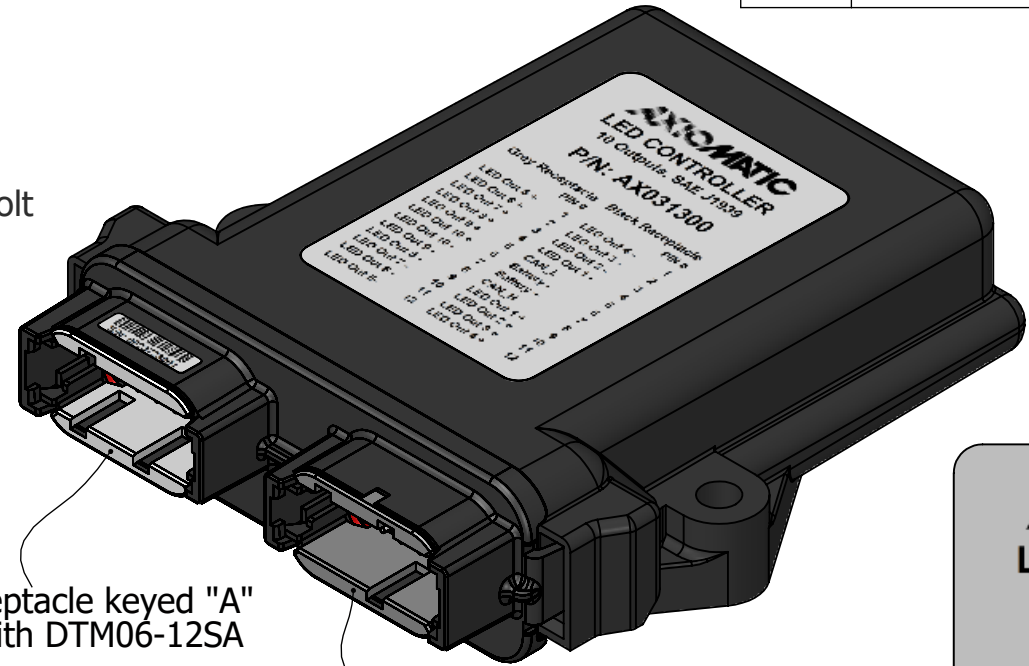
1

REVISIONS					
REV.	DESCRIPTION	DATE	DRAWN	QA	APPROVED
P1.1-D1	PRODUCTION PILOT	2026-01-23	AZ	CM	GDV

B

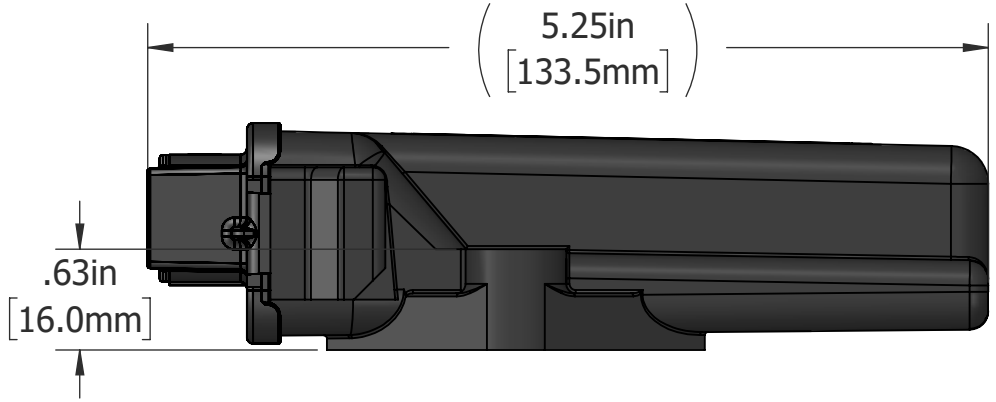
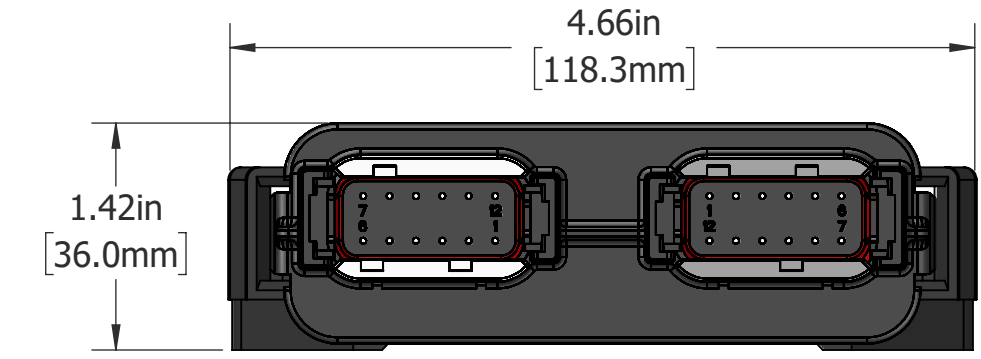


Ø .29in [7.4mm]
to suit an M6 or 1/4" bolt



Unit Label

A



B

A

4

3

2

1

DIMENSIONS ARE IN INCHES [mm] UNLESS OTHERWISE SPECIFIED IN DRAWING TOLERANCE ON: X.XXX [.XX] ±0.005 [0.13] X.XX [X.X] ±0.01 [0.25] (X.XX [X.X]) ±0.04 [1.00] ANGLES ±1.0° Others follow ISO 2768-2, tolerance class K		MATERIAL FINISH THIRD ANGLE PROJECTION 		DRAWN: AZ DATE: 2026-01-20 QA: CM DATE: 2026-01-23 APPROVED: GDV DATE: 2026-01-23		TITLE: LED CONTROLLER, 10 OUTPUTS, SAE J1939 DWG REV: D1 DWG NO: AX031300-MD PART REV: P1.1 SCALE: 1:1.2 PART NO: AX031300 SHEET: SHEET 1 OF 1	
--	--	--	--	--	--	--	--

PROPRIETARY AND CONFIDENTIAL
 THE INFORMATION CONTAINED IN THIS DRAWING IS CONFIDENTIAL AND PROPRIETARY AND REMAINS THE EXCLUSIVE PROPERTY OF AXIOMATIC TECHNOLOGIES CORPORATION. THIS DRAWING MAY NOT BE USED, REPRODUCED IN WHOLE OR IN PART, NOR REVEALED TO OTHERS WITHOUT THE PRIOR WRITTEN CONSENT OF AXIOMATIC TECHNOLOGIES CORPORATION. BY ACCEPTANCE OF THIS DRAWING, THE BEARER AGREES TO THESE CONDITIONS.

AXIOMATIC CORPORATION
 Global Electronic Solutions
 1445 COURTNEY PARK DR E
 MISSISSAUGA, ON
 CANADA L5T2E3
 905-602-9270