

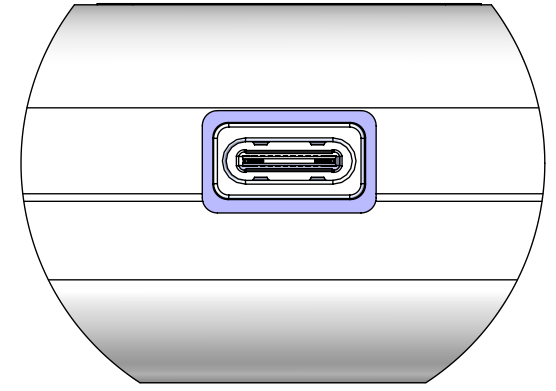
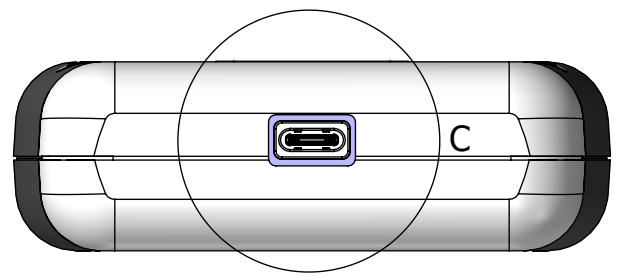
4

3

2

1

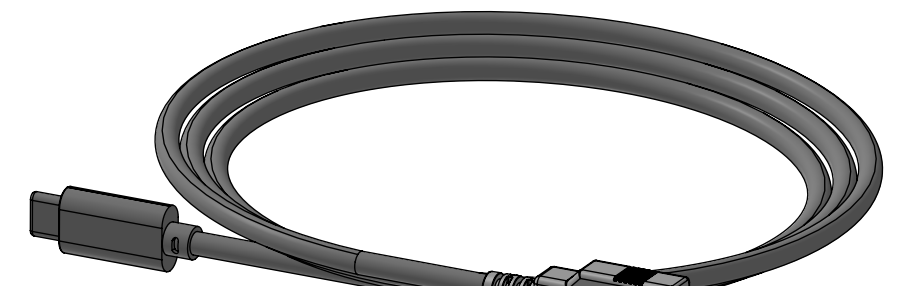
REVISIONS			
REV.	DESCRIPTION	DATE	APPROVED
P1-D1	initial release	2025-09-19	GDV/OB
P2-D1	housing update	2026-03-01	GDV/OB



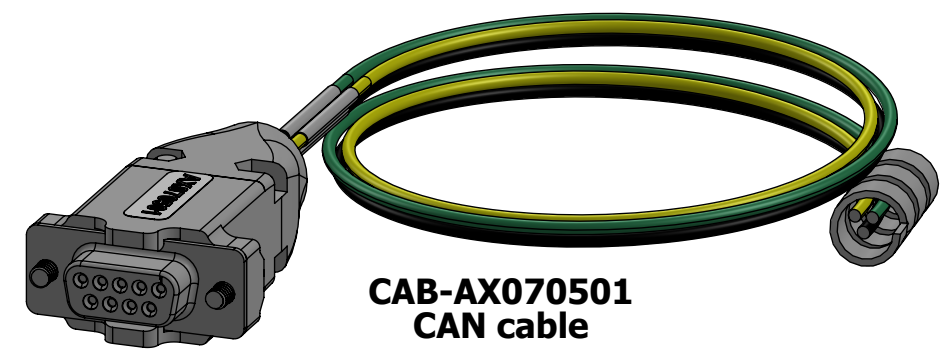
DETAIL C
rugged USB C connector



CBL-USB2.0CM-CM-S-1M
USB C to USB C cable



CBL-USB2.0AM-CM-S-1M
USB A to USB C cable



CAB-AX070501
CAN cable

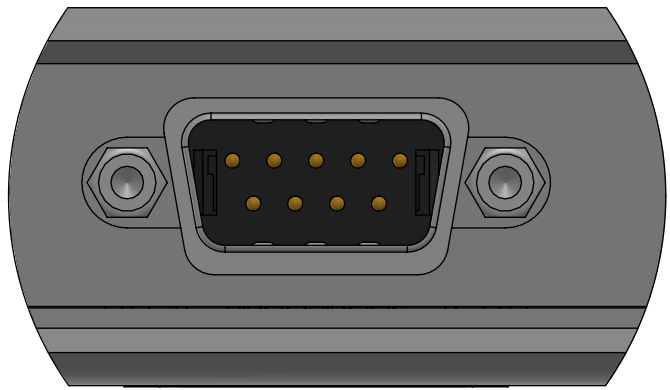
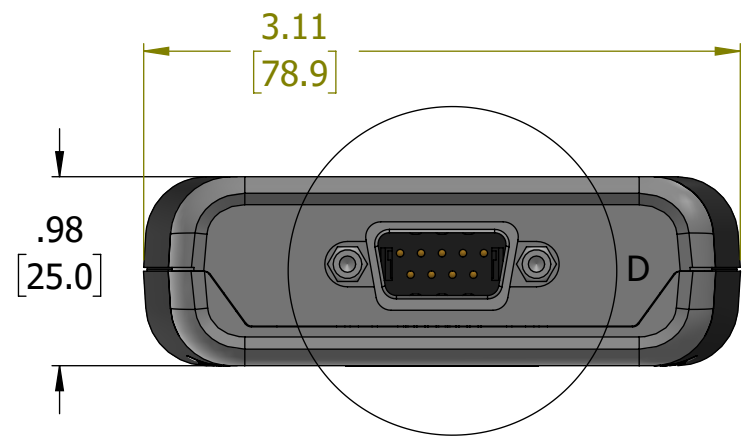
B

B



A

A



DETAIL D
DB9M CAN receptacle

PROPRIETARY AND CONFIDENTIAL
THE INFORMATION CONTAINED IN THIS DRAWING IS CONFIDENTIAL AND PROPRIETARY AND REMAINS THE EXCLUSIVE PROPERTY OF AXIOMATIC TECHNOLOGIES CORPORATION. THIS DRAWING MAY NOT BE USED, REPRODUCED IN WHOLE OR IN PART, NOR REVEALED TO OTHERS WITHOUT THE PRIOR WRITTEN CONSENT OF AXIOMATIC TECHNOLOGIES CORPORATION. BY ACCEPTANCE OF THIS DRAWING, THE BEARER AGREES TO THESE CONDITIONS.

AXIOMATIC CORPORATION
Global Electronic Solutions
1445 COURTNEY PARK DR E
MISSISSAUGA, ON
CANADA L5T2E3
905-602-9270

DIMENSIONS ARE IN mm
UNLESS OTHERWISE SPECIFIED
IN DRAWING TOLERANCE ON:

X.X ±0.5
X. ±1
ANGLES ±1.0°

MATERIAL	DRAWN	DATE	TITLE:		
FINISH	TF	2025-09-19	USB TYPE C TO CAN CONVERTER		
THIRD ANGLE PROJECTION	QA	DATE	DWG REV	DWG NO	PART REV
TOOL SOLIDWORKS	APPROVED	DATE	D1	AX070506K-MD	P2
SIZE B	GDV	DATE	SCALE	PART NO	SHEET
			1:1	AX070506K	SHEET 1 OF 1

4

3

2

1