

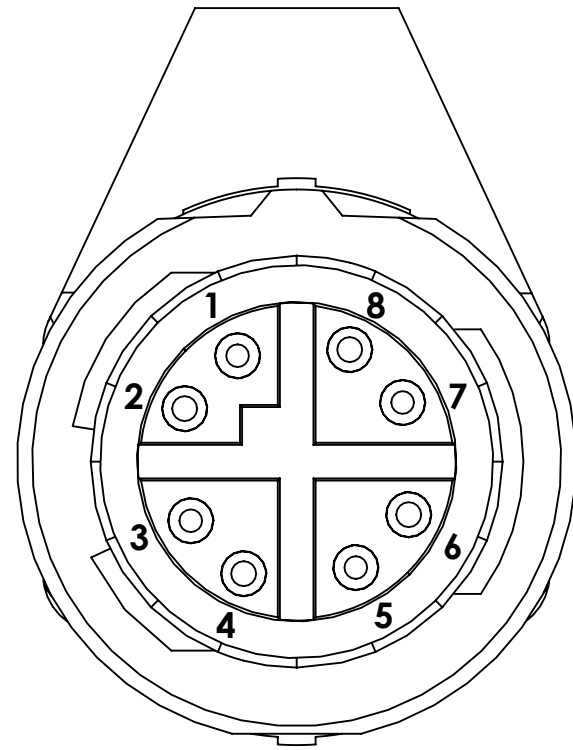
4

3

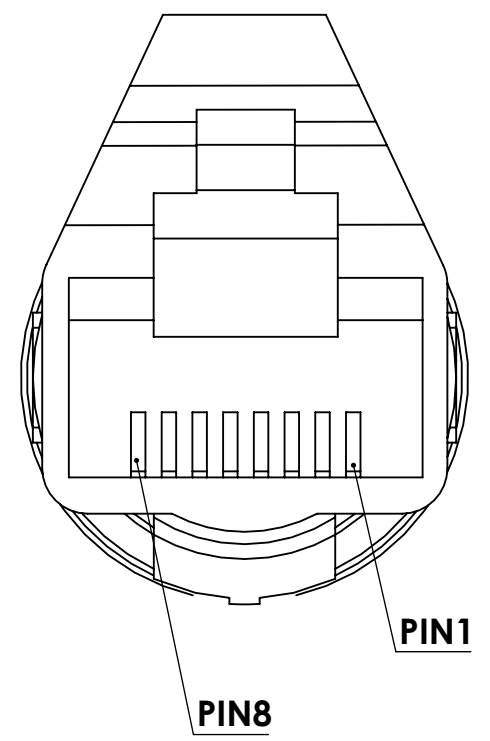
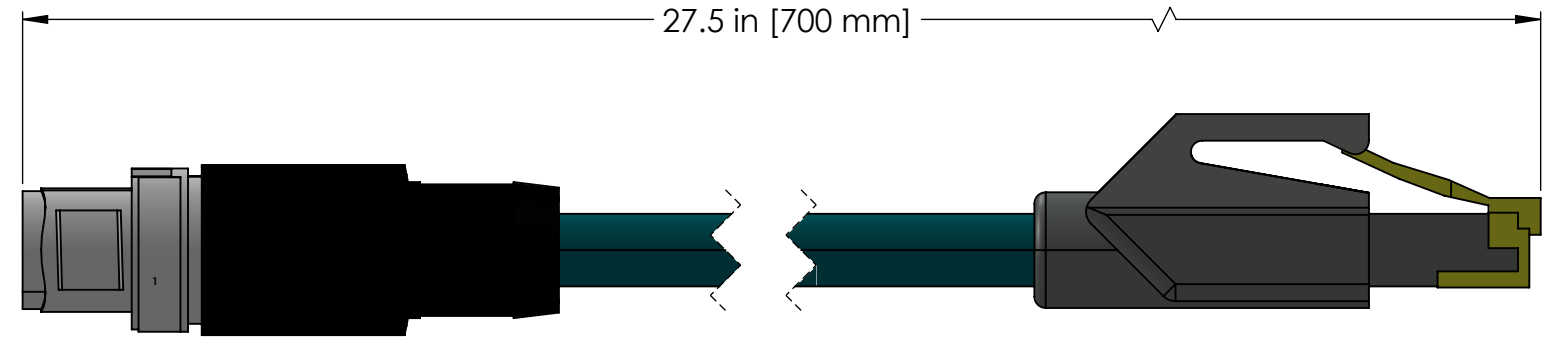
2

1

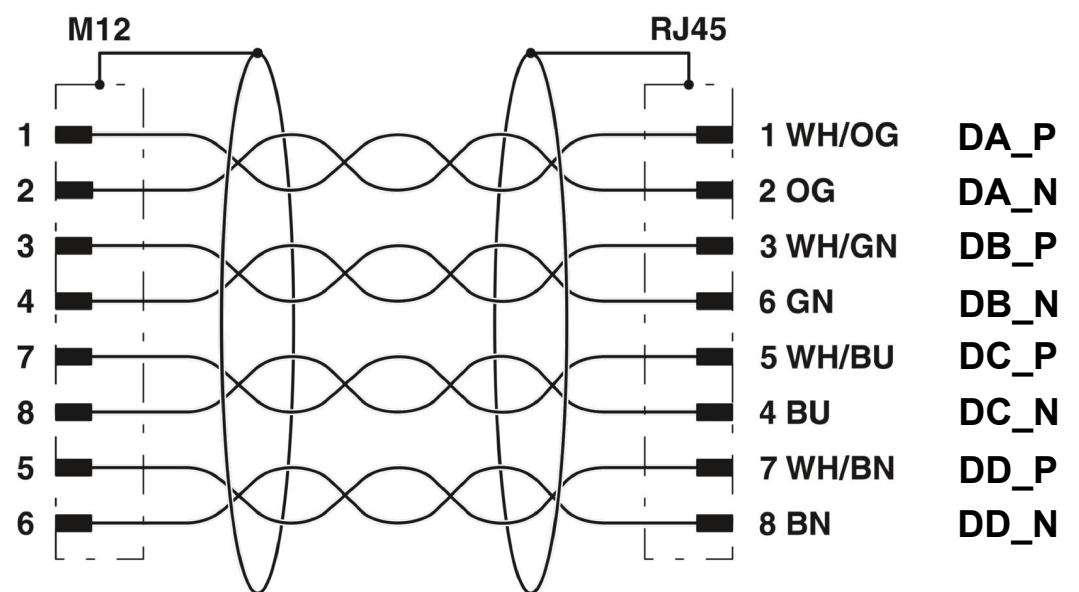
REVISIONS					
REV.	DESCRIPTION	DATE	DRAWN	QA	APPROVED
P1-D1	initial release	2025-06-17	TF		GDV
P2-D1	increased cable length (RFA25-0056)	2026-02-09	TF		GDV
P2-D2	added wire specification	2026-02-25	TF		GDV



X code male M12 end



RJ45 end (T568B)



**4 x 26 awg 7 stranded Litz wire, foiled twisted pairs with a tinned braided copper shield
PUR jacket, -40 °C to +85 °C (fixed installation)**

<p>PROPRIETARY AND CONFIDENTIAL</p> <p>THE INFORMATION CONTAINED IN THIS DRAWING IS CONFIDENTIAL AND PROPRIETARY AND REMAINS THE EXCLUSIVE PROPERTY OF AXIOMATIC TECHNOLOGIES CORPORATION. THIS DRAWING MAY NOT BE USED, REPRODUCED IN WHOLE OR IN PART, NOR REVEALED TO OTHERS WITHOUT THE PRIOR WRITTEN CONSENT OF AXIOMATIC TECHNOLOGIES CORPORATION. BY ACCEPTANCE OF THIS DRAWING, THE BEARER AGREES TO THESE CONDITIONS.</p>		<p>AXIOMATIC TECHNOLOGIES CORPORATION 1445 COURTNEY PARK DR E MISSISSAUGA, ON CANADA L5T2E3 905-602-9270</p>	
<p>DIMENSIONS ARE IN INCHES [mm]</p> <p>UNLESS OTHERWISE SPECIFIED IN DRAWING TOLERANCE ON:</p> <p>X.XXX [.XX] ±0.005 [0.13] X.XX [X.X] ±0.01 [0.25] [X.XX [X.X]] ±0.04 [1.00] ANGLES ±1.0° Others follow ISO 2768-2, tolerance class K</p>		<p>MATERIAL</p> <p>FINISH</p> <p>THIRD ANGLE PROJECTION</p>	<p>DRAWN</p> <p>DATE</p> <p>QA</p> <p>DATE</p> <p>APPROVED</p> <p>DATE</p> <p>TOOL</p> <p>SOLIDWORKS</p> <p>SIZE</p> <p>B</p>
<p>TITLE: SHIELDED M12 X CODE MALE TO T568B RJ45 PLUG, 700 mm LONG. 1408647/94F/0.7</p>		<p>DWG REV</p> <p>D2</p>	<p>DWG NO</p> <p>AX070525-MD-R2</p> <p>PART REV</p> <p>R2</p>
<p>SCALE</p> <p>1:1</p>		<p>PART NO</p> <p>AX070525-R2</p>	<p>SHEET</p> <p>SHEET 1 OF 1</p>

4

3

2

1