

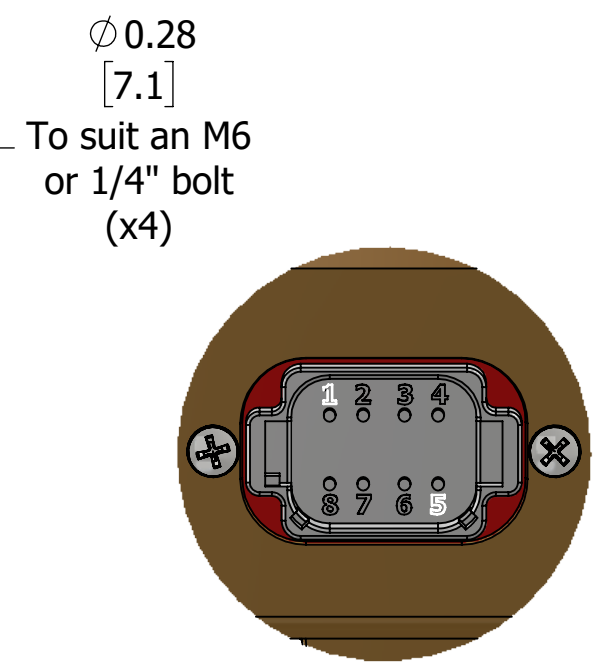
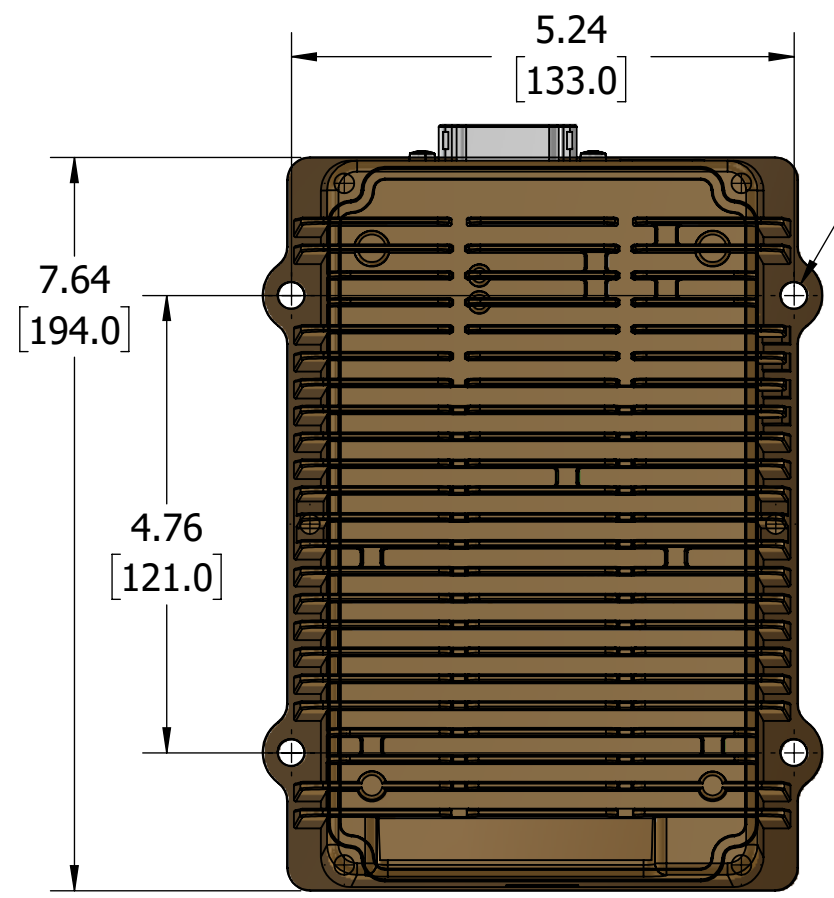
4

3

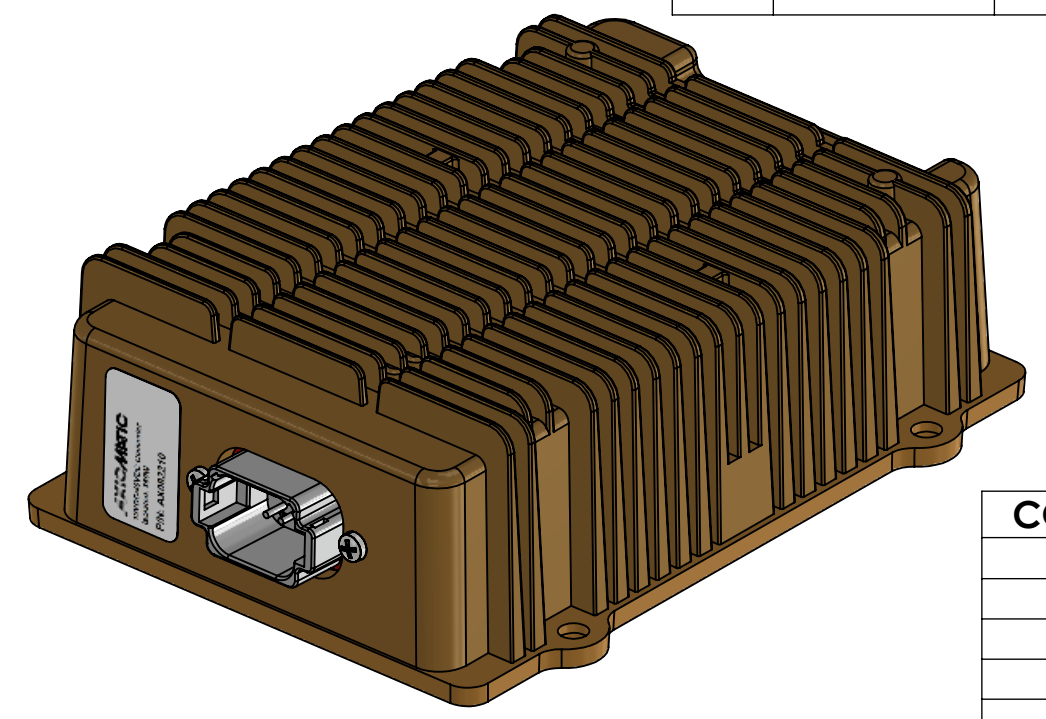
2

1

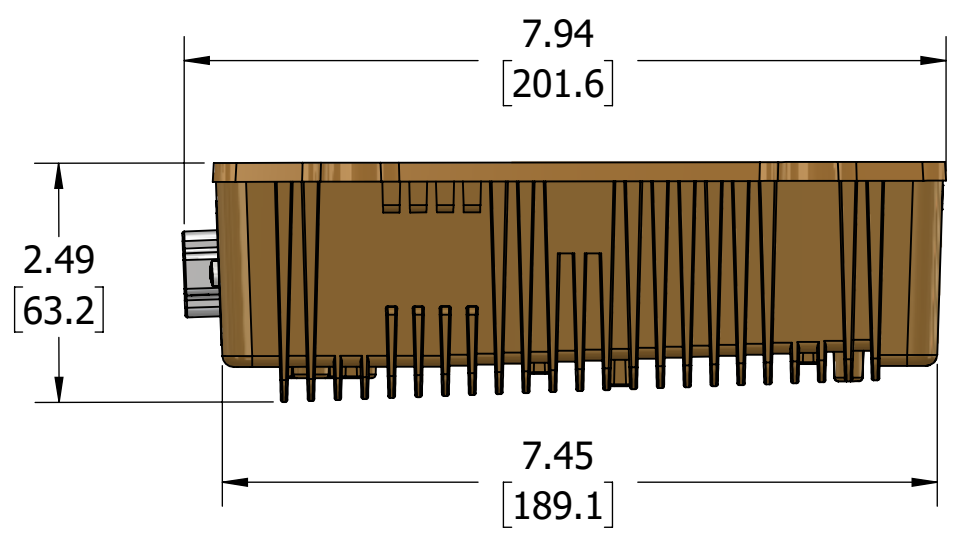
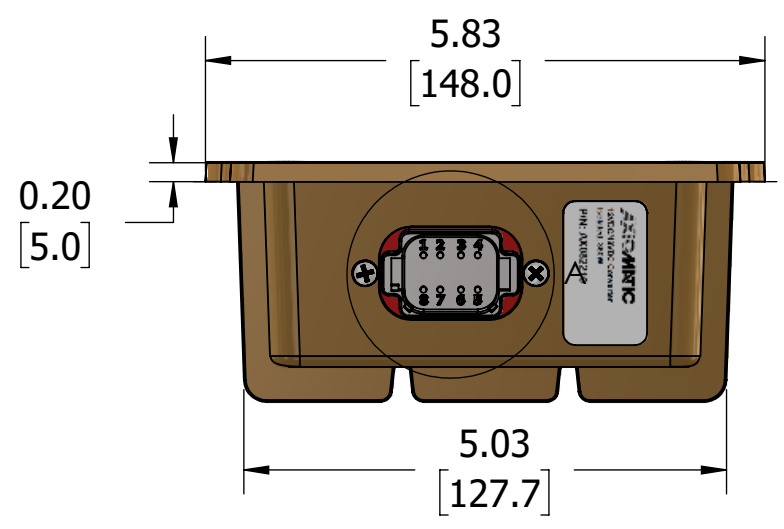
REVISION HISTORY				
REV.	DESCRIPTION	DRWAN	DATE	APPROVED
P1-D1	INITIAL RELEASED	JA	2025-09-10	GDV
P2-D1	BOARD UPDATED	JA	2026-04-22	GDV



**DETAIL A**  
DT13-08PA connector  
mates with DT06-08SA



CONNECTOR PINOUT	
PIN	DESCRIPTION
1	48V OUT
2	VIN +
3	VIN +
4	VIN +
5	VIN -
6	VIN -
7	VIN -
8	GROUND



**LABEL DETAIL**

DIMENSIONS ARE IN mm UNLESS OTHERWISE SPECIFIED IN DRAWING TOLERANCE ON:  X.X ±0.5 X. ±1 ANGLES ±1.0°	<b>PROPRIETARY AND CONFIDENTIAL</b> <small>THE INFORMATION CONTAINED IN THIS DRAWING IS CONFIDENTIAL AND PROPRIETARY AND REMAINS THE EXCLUSIVE PROPERTY OF AXIOMATIC TECHNOLOGIES CORPORATION. THIS DRAWING MAY NOT BE USED, REPRODUCED IN WHOLE OR IN PART, NOR REVEALED TO OTHERS WITHOUT THE PRIOR WRITTEN CONSENT OF AXIOMATIC TECHNOLOGIES CORPORATION. BY ACCEPTANCE OF THIS DRAWING, THE BEARER AGREES TO THESE CONDITIONS.</small>		<small>AXIOMATIC TECHNOLOGIES CORPORATION          1445 COURTNEY PARK DR E          MISSISSAUGA, ON          CANADA L5T2E3          905-602-9270</small>			
	MATERIAL	N/A	DRAWN	DATE	TITLE:	
	FINISH	N/A	JA	2026-04-22	12VDC/48VDC Cnverter Isolated, 350W	
	THIRD ANGLE PROJECTION	TOOL SOLIDWORKS	QA	DATE	DWG REV	DWG NO
	SIZE <b>B</b>	AW	2026-04-28	D1	AX082210-01-MD	P2
		APPROVED	DATE	SCALE	PART NO	SHEET
		GDV	2026-04-28	1:1.5	AX082210-01	SHEET 1 OF 1

4

3

2

1

B

B

A

A