

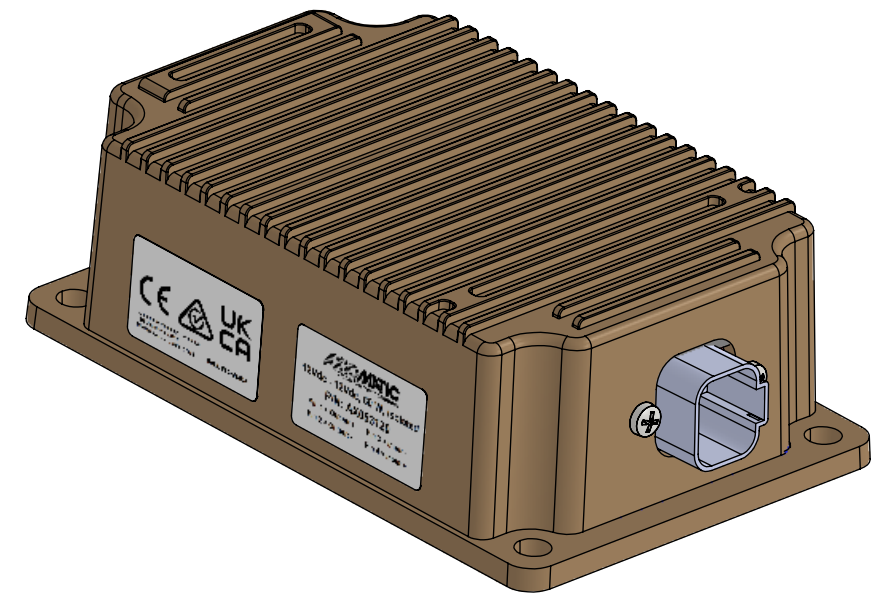
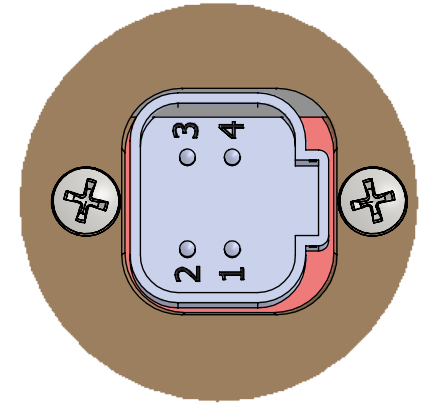
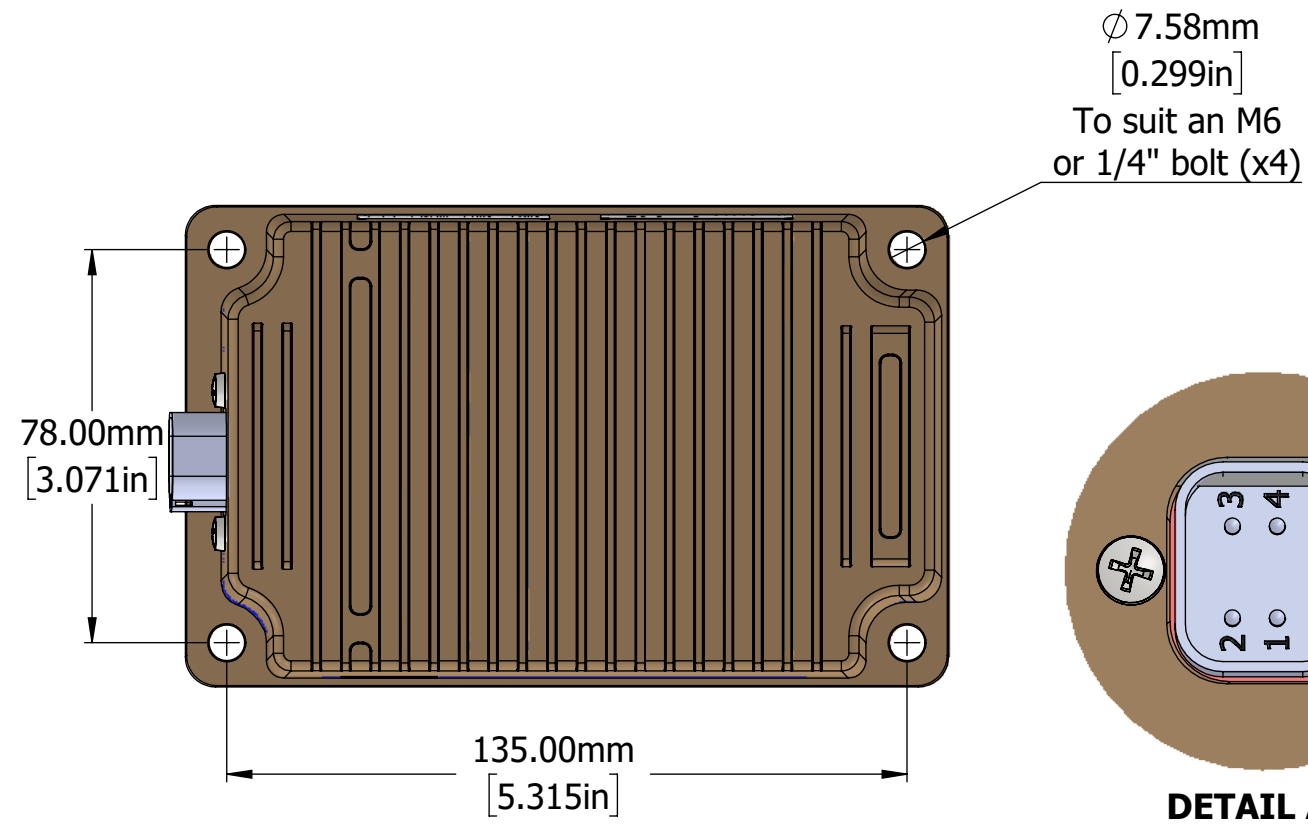
4

3

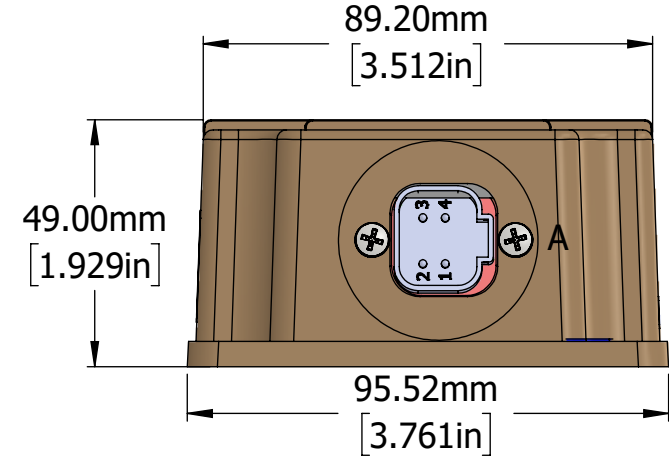
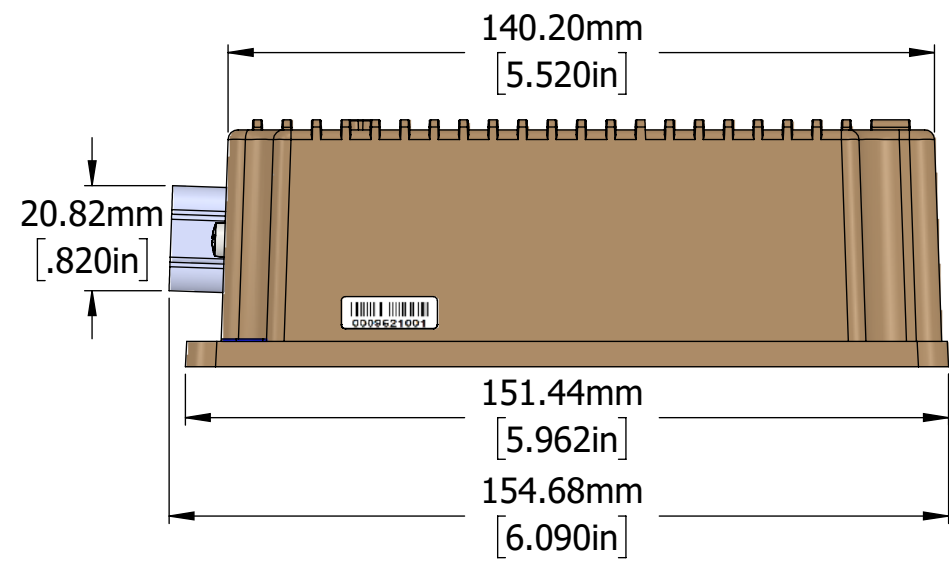
2

1

REVISIONS HISTORY			
REV.	DESCRIPTION	DATE	APPROVED
P1-D1	INITIAL RELEASED	2022-09-19	GDV
A-D1	RELEASED TO PRODUCTION (ECN-0032)	2025-03-25	GDV
A.1-D2	LABEL UPDATED	2025-07-14	GDV



LABEL DETAIL



AXIOMATIC
Global Electronic Solutions

12Vdc - 12Vdc, 60 W, Isolated
P/N: AX083120

Pin 1 = Output + Pin 3 = Input -
Pin 2 = Output - Pin 4 = Input +

LBP-AX083120-01-R2

CE **UK CA**

Axiomatic Technologies Corporation
1445 Courtneypark Dr. E.
Mississauga, ON Canada L5T 2E3 **MADE IN CANADA**

LBP-AX083120-02-R1

DIMENSIONS ARE IN mm UNLESS OTHERWISE SPECIFIED IN DRAWING TOLERANCE ON: X.X ±0.5 X. ±1 ANGLES ±1.0°	MATERIAL		N/A		DRAWN		DATE		PROPRIETARY AND CONFIDENTIAL THE INFORMATION CONTAINED IN THIS DRAWING IS CONFIDENTIAL AND PROPRIETARY AND REMAINS THE EXCLUSIVE PROPERTY OF AXIOMATIC TECHNOLOGIES CORPORATION. THIS DRAWING MAY NOT BE USED, REPRODUCED IN WHOLE OR IN PART, NOR REVEALED TO OTHERS WITHOUT THE PRIOR WRITTEN CONSENT OF AXIOMATIC TECHNOLOGIES CORPORATION. BY ACCEPTANCE OF THIS DRAWING, THE BEARER AGREES TO THESE CONDITIONS.			
	FINISH		N/A		JA		2025-07-14		AXIOMATIC Global Electronic Solutions AXIOMATIC TECHNOLOGIES CORPORATION 1445 COURTNEYPARK DR E MISSISSAUGA, ON CANADA L5T2E3 905-602-9270			
	THIRD ANGLE PROJECTION		TOOL		QA		DATE		DWG REV		DWG NO	PART REV
			SOLIDWORKS		CM		2025-09-24		D2		AX083120-MD	A.1
SIZE		B		APPROVED		DATE		SCALE		SHEET		
				GDV		2025-09-24		1:2		PART NO	SHEET	
										AX083120	SHEET 1 OF 1	

4

3

2

1