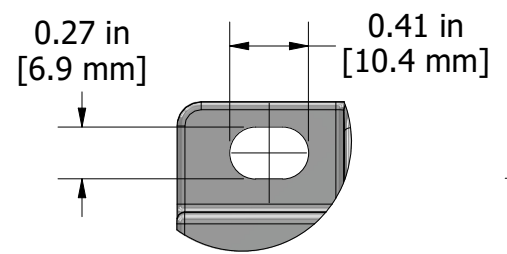


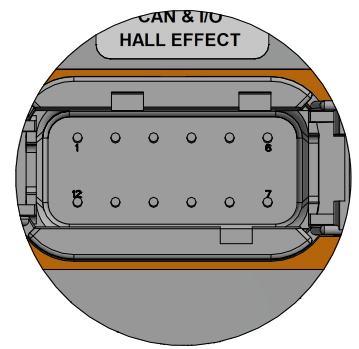
REVISION HISTORY					
REV	DESCRIPTION	DATE	DRAWN	QA	APPROVED
P2.1-D2	CCT SCREW CHANGE (ECN25-0064)	2025-08-05	AZ	CM	GDV



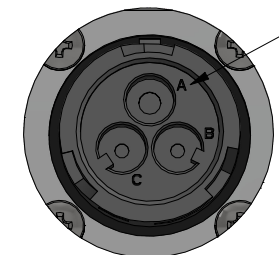
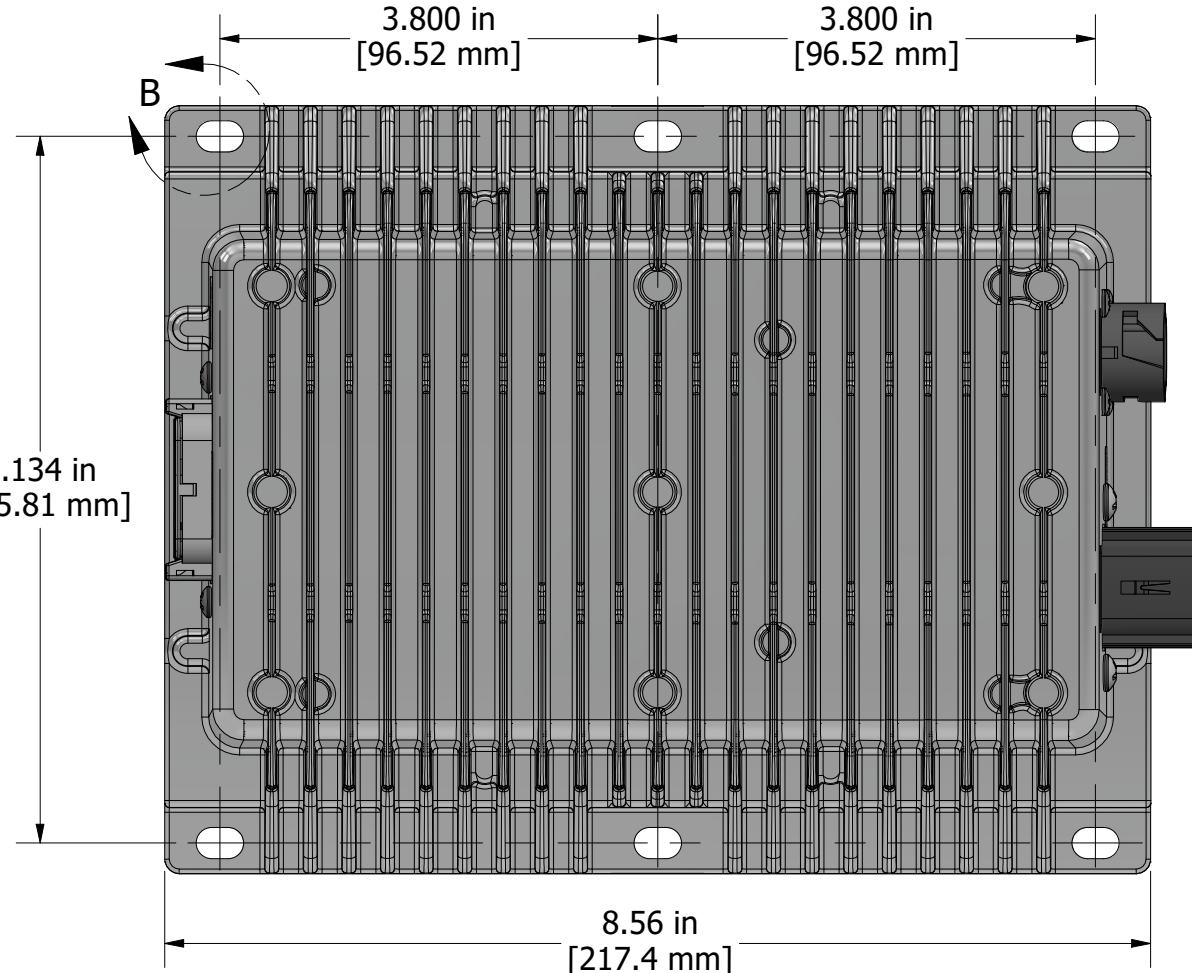
Unit Label



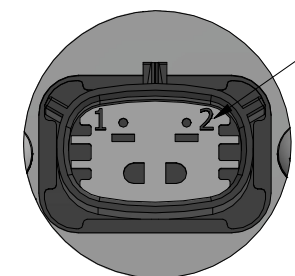
DETAIL B
Mounting Slots
To Suit M6 or 1/4" Bolts



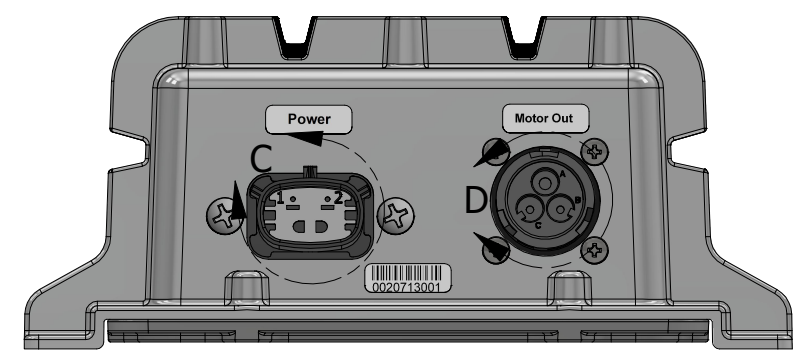
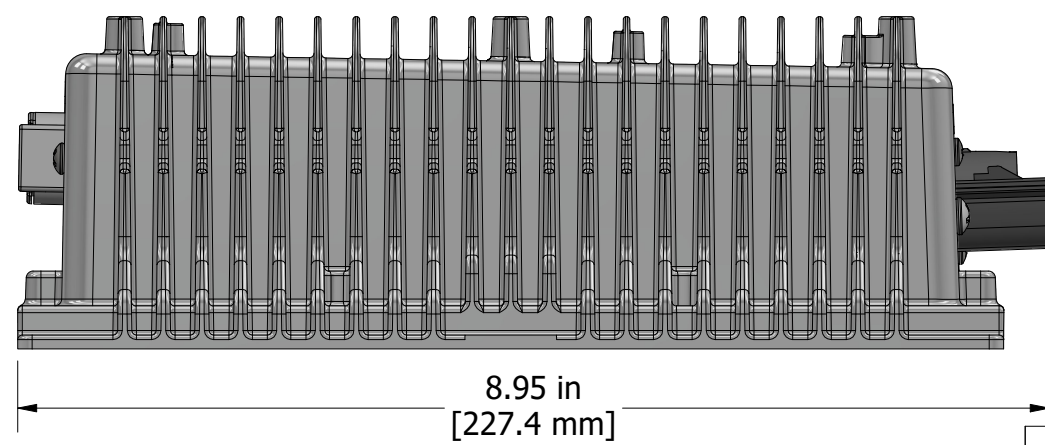
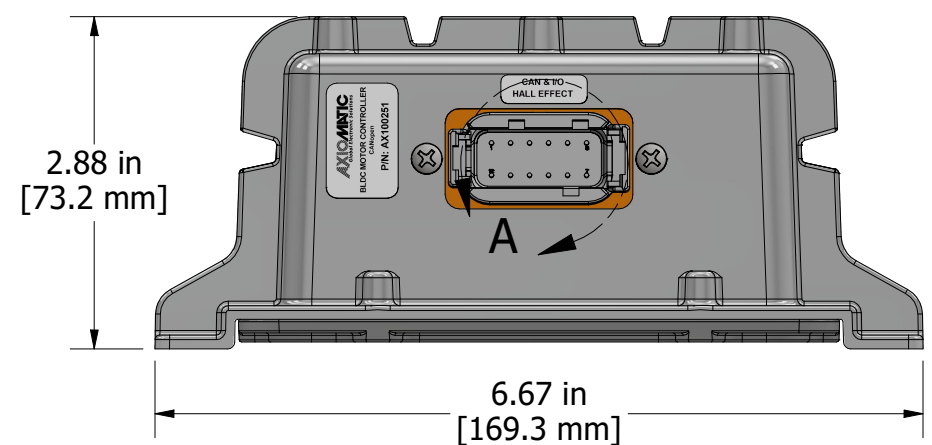
DETAIL A
Deutsch DTM13-12PA
12-Pin Connector
Mates with
DeutschDTM06-12SA



DETAIL D
Deutsch HD10-3-96P 3-Pin Connector
Mates with Deutsch HD16-3-96S



DETAIL C
Molex 19436-0213 2-Pin Connector
Mates with Molex 194320013



DIMENSIONS ARE IN INCHES UNLESS OTHERWISE SPECIFIED IN DRAWING TOLERANCE ON: X.XXX ± 0.008 X.XX ± 0.01 X ± 1 ANGLES ± 1.0 Others follow ISO 2768-2, tolerance class K		MATERIAL NA FINISH NA THIRD ANGLE PROJECTION 	DRAWN AZ CHECKED TF APPROVED GDV INVENTOR SIZE B	DATE 2022-03-04 DATE 2024-01-12 DATE 2024-01-12	TITLE BLDC MOTOR CONTROLLER, CANopen DWG REV D2 SCALE 0.6	DWG NO AX100251-MD PART NO FG-AX100251	PART REV P2.1 SHEET 1 of 1
---	--	--	--	--	--	---	-------------------------------------

