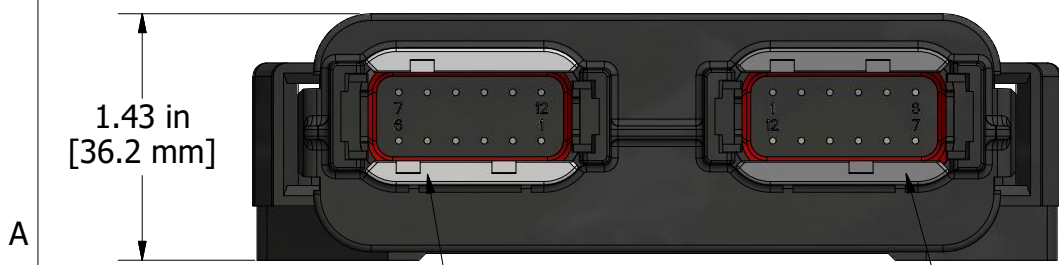




Ø0.29 in [Ø7.4 mm] to suit an M4 or 1/4" bolt (2)

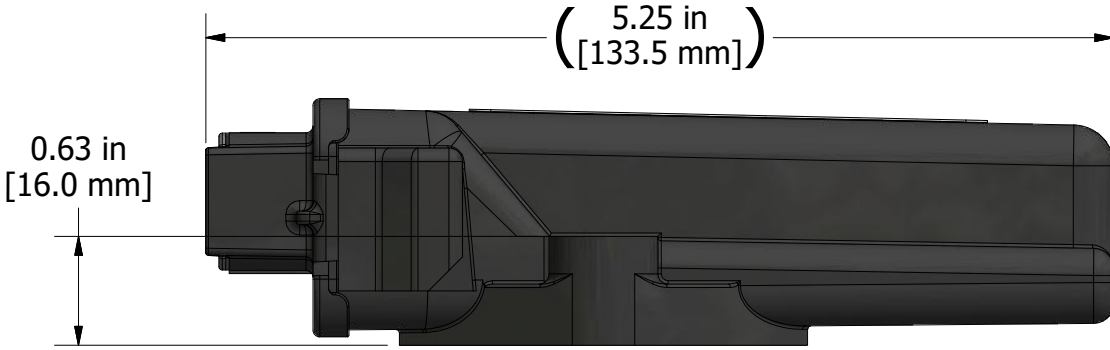


REVISION HISTORY			
REV	DESCRIPTION	DATE	APPROVED
R1-D1	PRODUCT PILOT	2020-04-22	GDV
R2-D1	general updates	2021-04-28	GDV



Gray receptacle keyed "A" mates with **TE Deutsch DTM06-12SA**

Black receptacle keyed "B" mates with **TE Deutsch DTM06-12SB**



AXIOMATIC
Global Electronic Solutions

BLDC Motor Controller
CANopen
P/N: AX100281

Grey Receptacle		Black Receptacle	
	PIN #		PIN #
CAN L	1	+5V REF	1
MOTOR_C	2	Input 1	2
MOTOR_B	3	Input GND	3
MOTOR_A	4	Input 2	4
BATT+	5	Input 3	5
BATT +	6	Input 4	6
BATT -	7	Ignition Switch Input	7
BATT-	8	HALL_GND	8
MOTOR_A	9	HALL_C	9
MOTOR_B	10	HALL_B	10
MOTOR_C	11	HALL_A	11
CAN_H	12	HALL_+5V	12

UNIT LABEL

DIMENSIONS ARE IN INCHES UNLESS OTHERWISE SPECIFIED IN DRAWING TOLERANCE ON:		MATERIAL NA		DRAWN AZ	DATE 2019-10-29	TITLE BLDC Motor Controller, CANopen				
FABRICATION X.XXX ± 0.015 X.XX ± 0.01 X.X ± 0.1 ANGLES ± 1.0	MACHINING X.XXX ± 0.005 X.XX ± 0.01 X.X ± 0.1 ANGLES ± 1.0	FINISH NA	CHECKED TF	DATE 2020-04-22	DWG REV D1	DWG NO AX100281-MD	PART REV 2	SCALE 0.9	PART NO AX100281	SHEET 1 of 1
		THIRD ANGLE PROJECTION	TOOL INVENTOR SIZE B	APPROVED GDV	DATE 2020-04-22					

PROPRIETARY
 THE INFORMATION CONTAINED IN THIS DRAWING IS CONFIDENTIAL AND PROPRIETARY AND REMAINS THE EXCLUSIVE PROPERTY OF AXIOMATIC TECHNOLOGIES CORPORATION. THIS DRAWING MAY NOT BE USED, REPRODUCED IN WHOLE OR IN PART, NOR REVEALED TO OTHERS WITHOUT THE PRIOR WRITTEN CONSENT OF AXIOMATIC TECHNOLOGIES CORPORATION. BY ACCEPTANCE OF THIS DRAWING, THE BEARER AGREES TO THESE CONDITIONS.

AXIOMATIC
Global Electronic Solutions

AXIOMATIC TECHNOLOGIES CORPORATION
 5915 WALLACE ST.
 MISSISSAUGA, ON
 CANADA L4Z 1Z8
 905-602-9270