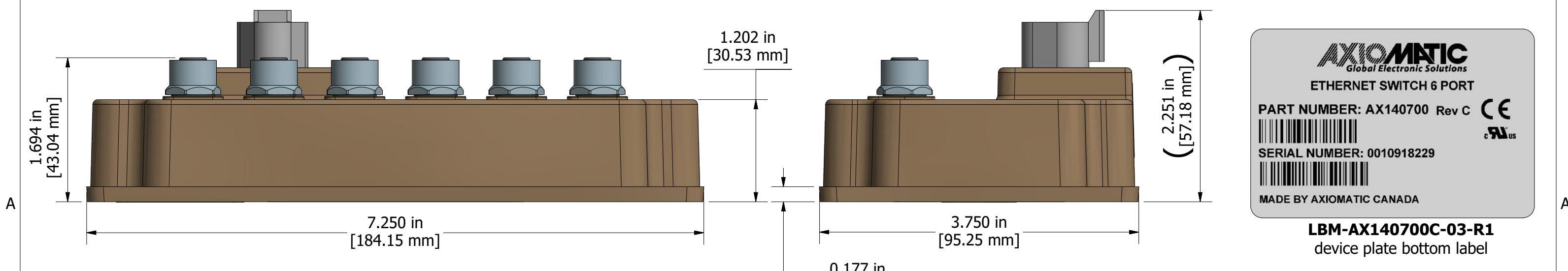


Ø0.287 in [7.30 mm] to suit an M6 or 1/4" bolt (4)

**LBM-AX140701-03-R1**  
FCC label

**LBM-AX080150-04-R1**  
warning label



<b>TOLERANCES</b> fabrication X.XXX +/- 0.015" X.XX +/- 0.031" X.X +/- 0.031" fractional +/- 0.031" machining X.XXX +/- 0.005" X.XX +/- 0.010" X.X +/- 0.015" fractional +/- 0.031"		PROPRIETARY THE INFORMATION CONTAINED IN THIS DRAWING IS CONFIDENTIAL AND PROPRIETARY AND REMAINS THE EXCLUSIVE PROPERTY OF AXIOMATIC TECHNOLOGIES CORPORATION. THIS DRAWING MAY NOT BE USED, REPRODUCED IN WHOLE OR IN PART, NOR REVEALED TO OTHERS WITHOUT THE PRIOR WRITTEN CONSENT OF AXIOMATIC TECHNOLOGIES CORPORATION. BY ACCEPTANCE OF THIS DRAWING, THE BEARER AGREES TO THESE CONDITIONS.	AXIOMATIC TECHNOLOGIES CORPORATION 5915 WALLACE ST. MISSISSAUGA, ON CANADA L4Z1Z8 905-602-9270
MATERIAL	DRAWN TF	DATE 2020-05-04	TITLE Ethernet Switch, 6 Port, anodized housing
FINISH	CHECKED	DATE	DWG REV D2
	APPROVED	DATE	DWG NO AX140700C-MD
			PART NO AX140700C
			PART REV A
			SCALE full
			SHEET 1 of 1