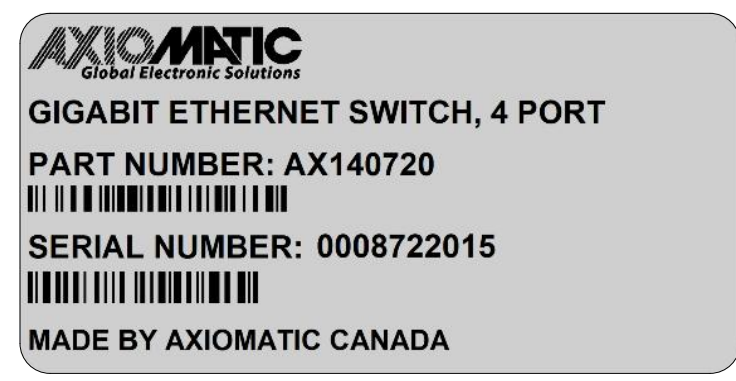
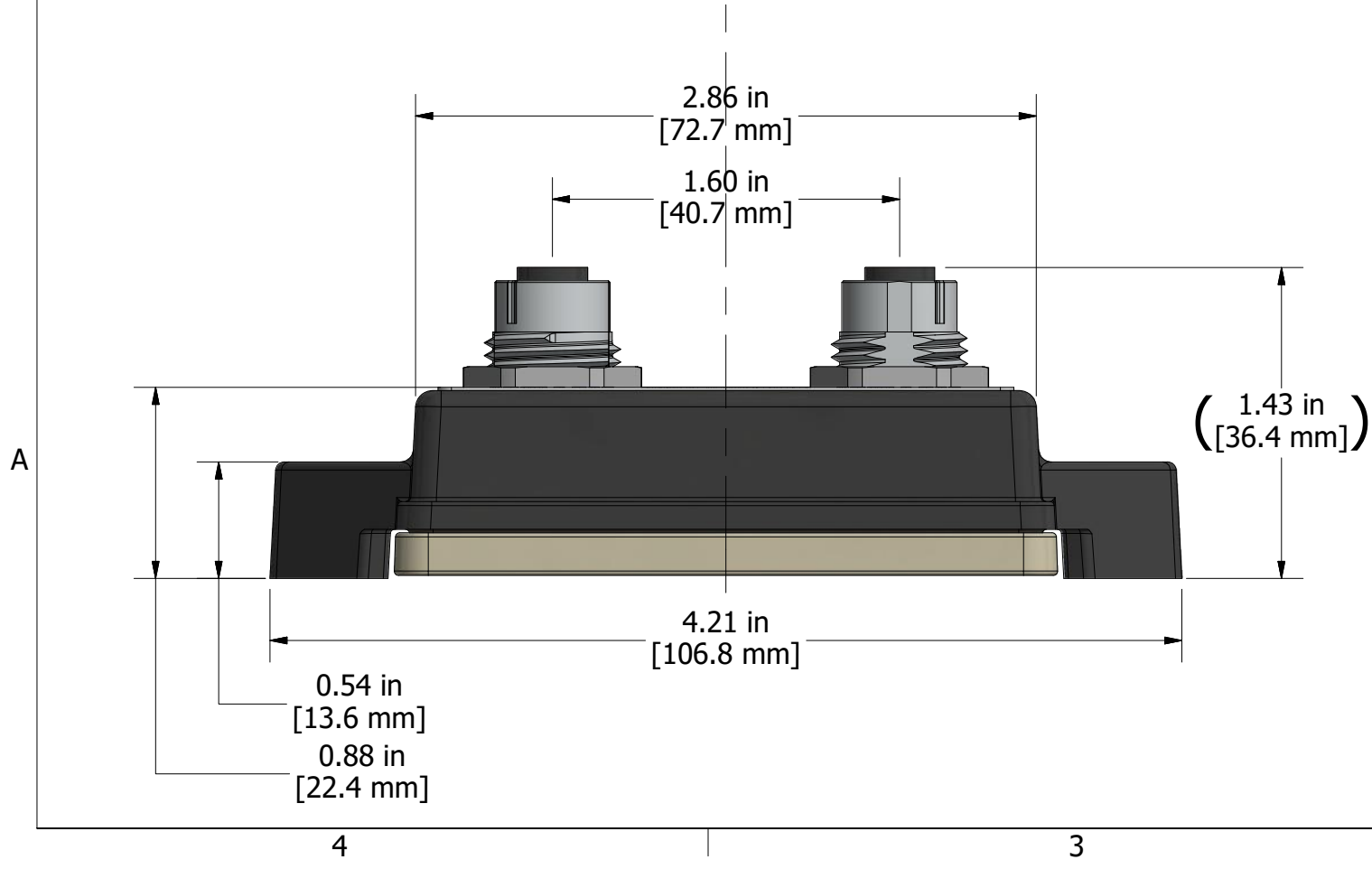


DETAIL B
 Phoenix Contact 1456543
 8 position panel mounted
 M12 recaptacle, A coded



bottom side label



DIMENSIONS ARE IN inches [mm]		
Unless otherwise noted, tolerances as stated.		
TOLERANCES	FABRICATION	MACHINING/CASTING/ MOLDING
X.XXX" [X.XX mm]	± 0.015" [0.38 mm]	± 0.005" [0.13 mm]
X.XX" [X.X mm]	± 0.03" [0.7 mm]	± 0.008" [0.2 mm]
X.X" in [X mm]	± 0.06" [1.5 mm]	± 0.03" [0.7 mm]
	ANGLES ± 1.0	ANGLES ± 0.5
		others ISO 2768-2 class K

<small>PROPRIETARY</small> THE INFORMATION CONTAINED IN THIS DRAWING IS CONFIDENTIAL AND PROPRIETARY AND REMAINS THE EXCLUSIVE PROPERTY OF AXIOMATIC TECHNOLOGIES CORPORATION. THIS DRAWING MAY NOT BE USED, REPRODUCED IN WHOLE OR IN PART, NOR REVEALED TO OTHERS WITHOUT THE PRIOR WRITTEN CONSENT OF AXIOMATIC TECHNOLOGIES CORPORATION. BY ACCEPTANCE OF THIS DRAWING, THE BEARER AGREES TO THESE CONDITIONS.						<small>AXIOMATIC TECHNOLOGIES CORPORATION</small> 5915 WALLACE ST. MISSISSAUGA, ON CANADA L4Z 1Z8 905-602-9270	
ENCLOSURE PA66 30% GF, UL94HB	DRAWN TF	DATE 2022-10-14	TITLE Gigabit Ethernet Switch				
OVERLAY PC FR-60, UL94V-0	CHECKED	DATE	DWG REV D1	DWG NO AX140720-MD	PART NO FG-AX140720		PART REV 1
THIRD ANGLE PROJECTION	TOOL INVENTOR SIZE B	APPROVED	DATE	SCALE 1.25	SHEET 1 of 1		