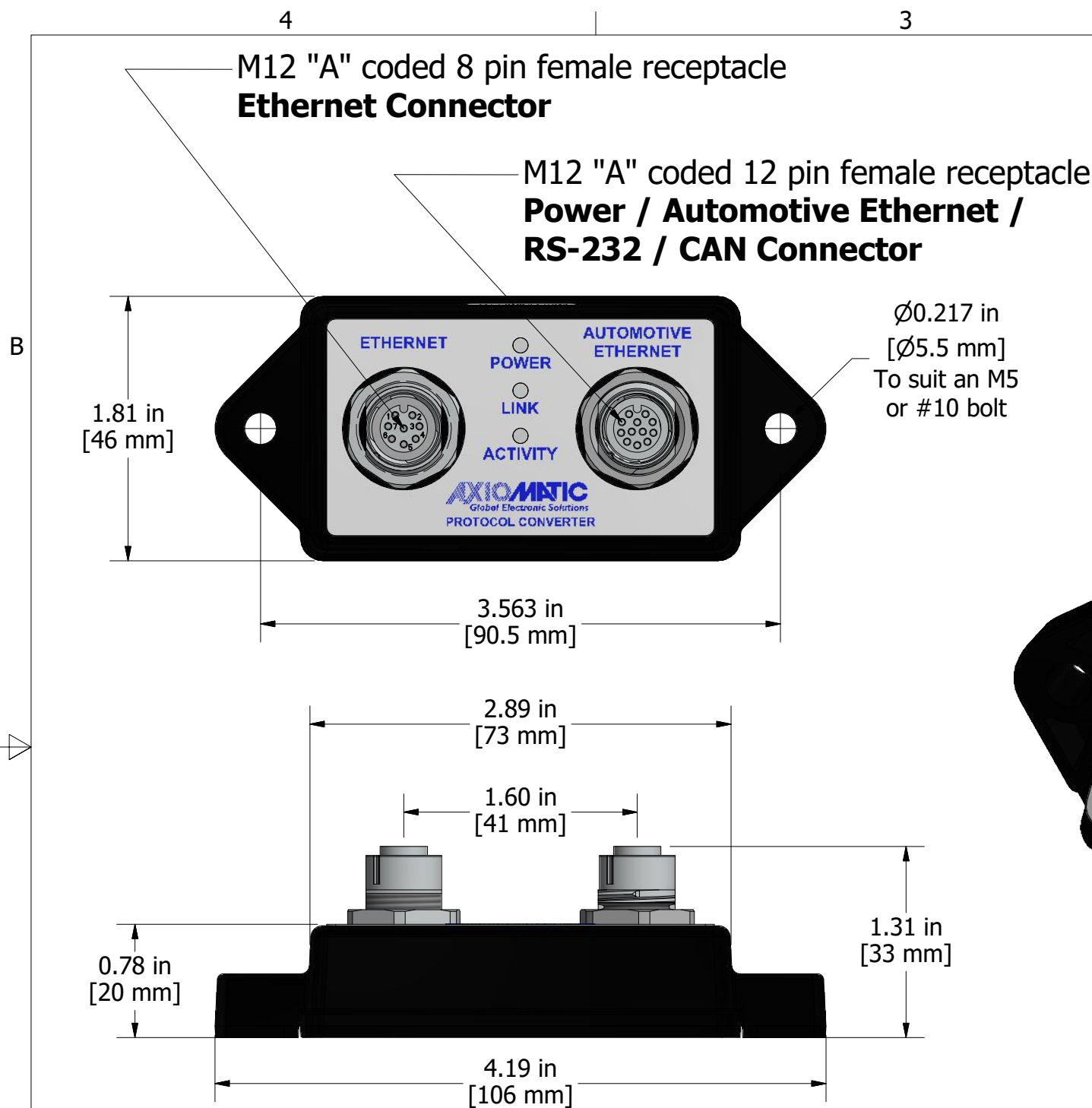
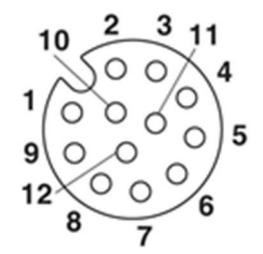


REVISION HISTORY			
REV	DESCRIPTION	DATE	APPROVED
P2-D1	INITIAL RELEASE	2022-01-04	GDV



M12 12 PIN FEMALE CONNECTOR			
PIN	FUNCTION	PIN	FUNCTION
1	BATT-	7	RS-232 TX
2	BATT-	8	RS-232 RX
3	TRD_P	9	BATT+
4	TRD_N	10	BATT+
5	NOT USED	11	CAN_L
6	RS-232_GND	12	CAN_H



M12 8 PIN FEMALE CONNECTOR			
PIN	FUNCTION	PIN	FUNCTION
1	BI_DC_P	5	BI_DB_P
2	BI_DD_P	6	BI_DA_P
3	BI_DD_N	7	BI_DC_N
4	BI_DA_N	8	BI_DB_N



Unit Label

<small>PROPRIETARY</small> THE INFORMATION CONTAINED IN THIS DRAWING IS CONFIDENTIAL AND PROPRIETARY AND REMAINS THE EXCLUSIVE PROPERTY OF AXIOMATIC TECHNOLOGIES CORPORATION. THIS DRAWING MAY NOT BE USED, REPRODUCED IN WHOLE OR IN PART, NOR REVEALED TO OTHERS WITHOUT THE PRIOR WRITTEN CONSENT OF AXIOMATIC TECHNOLOGIES CORPORATION. BY ACCEPTANCE OF THIS DRAWING, THE BEARER AGREES TO THESE CONDITIONS.						<small>AXIOMATIC TECHNOLOGIES CORPORATION</small> 5915 WALLACE ST. MISSISSAUGA, ON CANADA L4Z 1Z8 905-602-9270	
MATERIAL NA	EL	DATE 2022-01-04	TITLE 1 GB ETHERNET / AUTOMOTIVE ETHERNET CONVERTER				
FINISH NA	CHECKED	DATE	DWG REV D1	DWG NO AX141520-MD	PART REV P2		
THIRD ANGLE PROJECTION	TOOL INVENTOR SIZE B	APPROVED	DATE	SCALE 1	PART NO AX141520	SHEET 1 of 1	