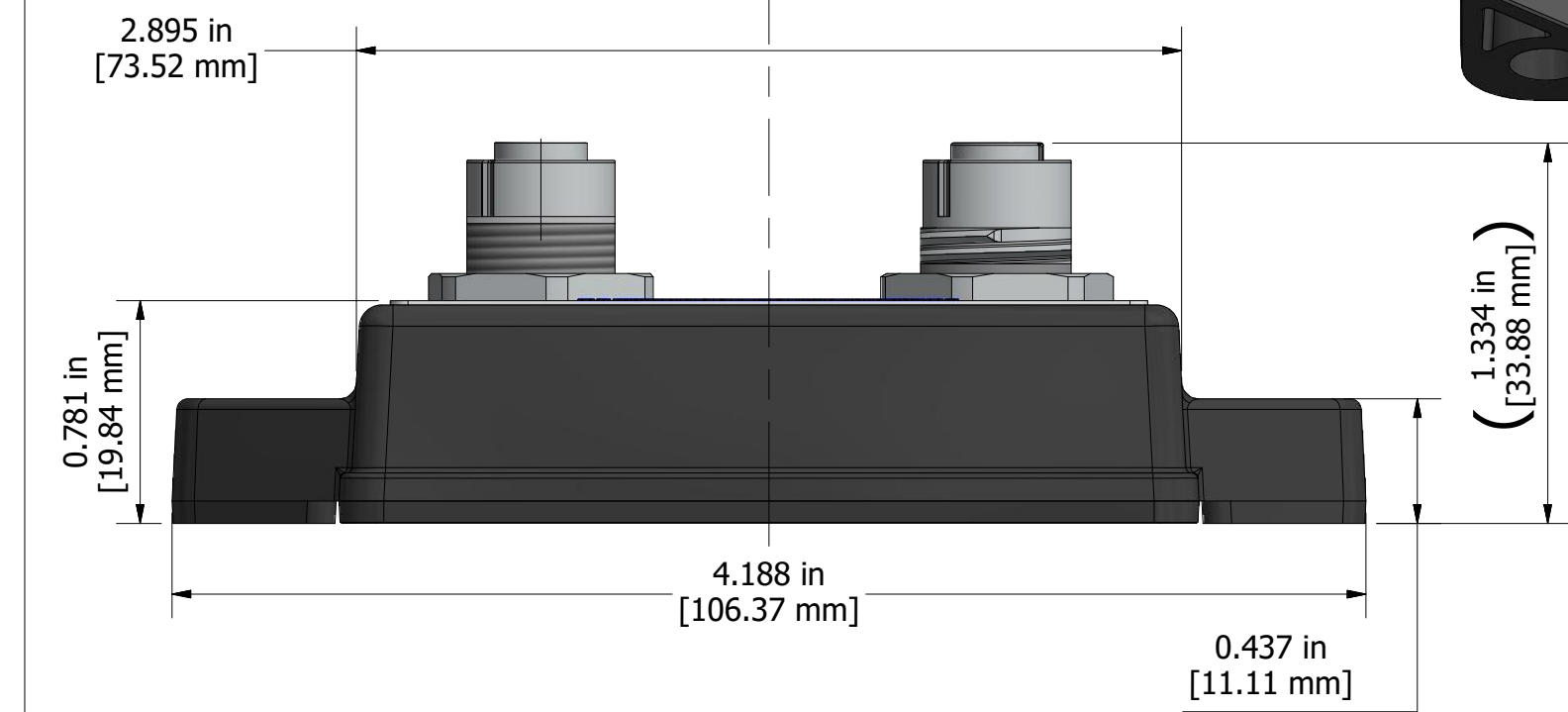
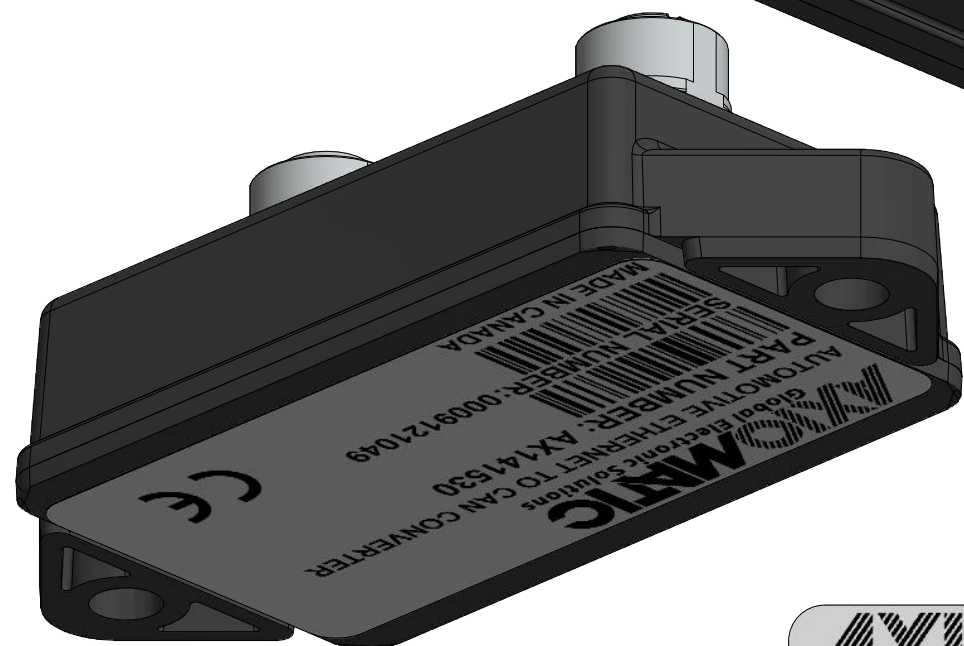
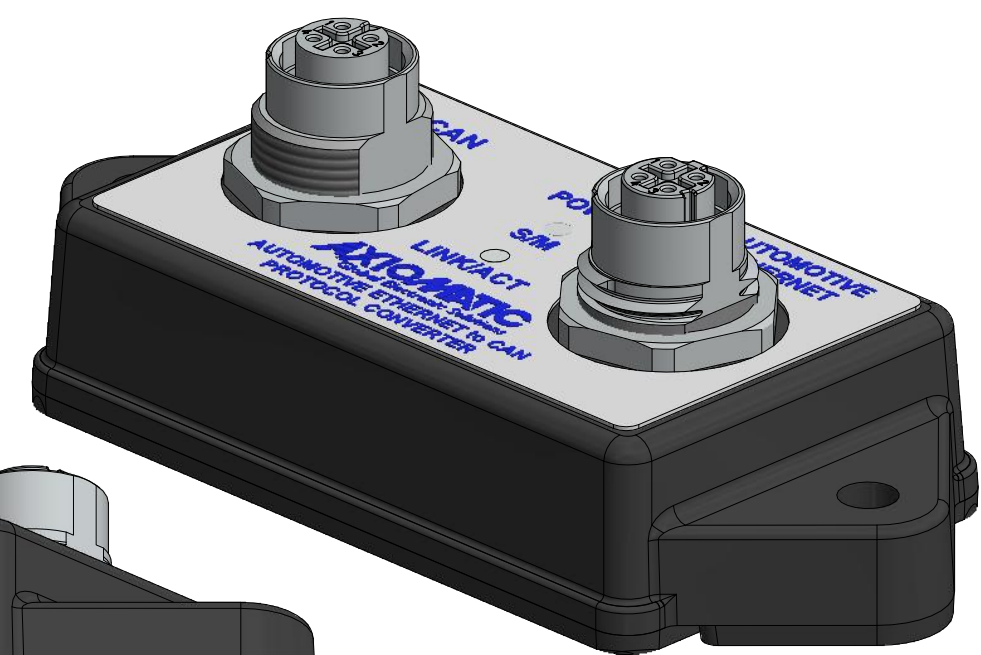


Ø0.217 in
[Ø5.51 mm]
to suit an M5 or
#10 bolt (2)



AXIOMATIC
Global Electronic Solutions

AUTOMOTIVE ETHERNET TO CAN CONVERTER
PART NUMBER: AX141530

SERIAL NUMBER: 0009121049

MADE IN CANADA

device plate label

<small>PROPRIETARY</small> THE INFORMATION CONTAINED IN THIS DRAWING IS CONFIDENTIAL AND PROPRIETARY AND REMAINS THE EXCLUSIVE PROPERTY OF AXIOMATIC TECHNOLOGIES CORPORATION. THIS DRAWING MAY NOT BE USED, REPRODUCED IN WHOLE OR IN PART, NOR REVEALED TO OTHERS WITHOUT THE PRIOR WRITTEN CONSENT OF AXIOMATIC TECHNOLOGIES CORPORATION. BY ACCEPTANCE OF THIS DRAWING, THE BEARER AGREES TO THESE CONDITIONS.		<small>AXIOMATIC TECHNOLOGIES CORPORATION</small> AXIOMATIC Global Electronic Solutions 5915 WALLACE ST. MISSISSAUGA, ON CANADA L4Z1Z8 905-602-9270		
TOLERANCES fabrication machining X.XXX +/- 0.015 X.XXX +/- 0.005 X.XX +/- 0.031 X.XX +/- 0.010 X.X +/- 0.031 X.X +/- 0.015 fractional +/- 0.031 fractional +/- 0.031		MATERIAL PA66-30%GF ultrasonically welded housing, polycarbonate overlay, UL94-V0 rated	DRAWN DATE TF 2021-09-20 CHECKED DATE APPROVED DATE	TITLE CAN to Automotive Ethernet Converter DWG REV DWG NO PART REV D1 AX141530-MD 1 SCALE PART NO SHEET full AX141530 1 of 1